

EASY AND RELIABLE OPENING  
GEZE FANLIGHT OPENERS OL 90 N, OL 95 AND OL 320



## Table of Contents

<b>Foreword</b>	<b>GEZE fanlight opening systems (OL)</b>	<b>4</b>
	<b>Overview of manual fanlight opening systems</b>	<b>5</b>
<b>Chapter 1</b>	<b>GEZE OL 90 N</b>	
	Introduction	<b>6</b>
	Rectangular windows	<b>8</b>
	Special shape: angular window	<b>10</b>
	Special shape: triangular windows	<b>12</b>
	Special shape: semicircular and segmental arch windows	<b>14</b>
	Top hung, outward-opening	<b>17</b>
<b>Chapter 2</b>	<b>GEZE OL 95</b>	<b>20</b>
	Order information GEZE OL 90 N and GEZE OL 95	<b>23</b>
	Accessories GEZE OL 90 N and GEZE OL 95	<b>28</b>
<b>Chapter 3</b>	<b>GEZE OL 320</b>	<b>37</b>
	Order information GEZE OL 320	<b>39</b>
	Accessories GEZE OL 320	<b>41</b>
	<b>GEZE gripping and cleaning scissor stay (FPS)</b>	<b>45</b>
	<b>GEZE OL 90 N and OL 95 - photographic overview</b>	<b>47</b>
	<b>Packaging unit applications: GEZE OL 90 N</b>	<b>48</b>

# GEZE SLIMLINE FANLIGHT OPENERS

## GEZE fanlight opening systems (OL)

### Daily ventilation made easy

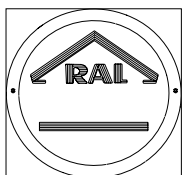
The manual window opening systems are used for convenient, daily ventilation.

GEZE slimline scissor stays open fanlights with opening widths up to 320 mm.

The range of applications includes rectangular, inward-opening bottom-hung or top-hung casements and outward-opening top-hung windows. Solutions are also available for special shapes, e.g. angular, triangular, semicircular and segmental arch windows.

The outstanding features of GEZE fanlight opening systems are their excellent user friendliness and ease of installation.

### RAL quality mark



The GEZE slimline fanlight openers OL 90 N and OL 95 fulfil the extensive requirements of the RAL quality protection targets and the high RAL quality level.

GEZE supplies different types of manual fanlight openers. The table on the following page gives an overview of these.

OL 90 N



Slimline fanlight opener with a large number of variation options

OL 90 N Top-hung, outward-opening



Slimline fanlight opener with burglary resistant lock

OL 95



Slimline fanlight opener especially for post-rail-constructions

OL 320



Slimline fanlight opener with large opening width and heavy casements

## GEZE SLIMLINE FANLIGHT OPENERS

## Overview of manual fanlight opening systems

	GEZE OL 90 N	GEZE OL 90 N Top-hung, outward-opening	GEZE OL 95	GEZE OL 320
<b>Area of application</b>				
For vertically installed window casements made of wood, plastic or metal	•	•	•	•
<b>Window shape</b>				
Rectangular	•	•	•	•
Angular	•		•	•
Triangular	•		•	•
Semicircular and segmental arch	•			
<b>Type of opening</b>				
Inward-opening	•		•	•
Outward-opening		•		
<b>Technical data</b>				
Length of the OL scissor stay	242 mm	274 mm	305 mm	436 mm
Depth of the OL scissor stay	49 mm	54 mm	49 mm	65 mm
Height of the OL scissor stay	16 mm	61 mm	16 mm	26 mm
Max. opening width	170 mm	170 mm	220 mm	320 mm
Max. panel weight	40 kg/m <sup>2</sup>	30 kg/m <sup>2</sup>	30 kg/m <sup>2</sup>	140 kg/m <sup>2</sup>
Max. casement weight	80 kg	80 kg	60 kg	250 kg
Min. casement width	380 mm	600 mm	440 mm	680 mm
Max. casement width with one scissor stay	1200 mm	1200 mm	1200 mm	1200 mm
Max. casement width with two scissor stays	2400 mm	2400 mm	2400 mm	2400 mm
Max. casement width with three scissor stays	3600 mm	–	3000 mm	3600 mm
Min. casement height	250 mm	370 mm	350 mm	400 mm
Space requirement, min. to max.	19–27 mm	28–35 mm	21–27 mm	30–36 mm
<b>Functions</b>				
Adjustable opening width (stroke reduction)	•	•	•	•
Casement lock integrated in the scissor stay	•	•	•	•
Scissor stay unhooked by release button	•	•	•	•
Burglar-resistant lock (SKG)		•		
Lockable	•		•	
Unhinging inhibitor	•		•	•
<b>Page</b>	<b>6</b>	<b>17</b>	<b>20</b>	<b>37</b>

• = Yes

## GEZE SLIMLINE FANLIGHT OPENERS

### GEZE OL 90 N

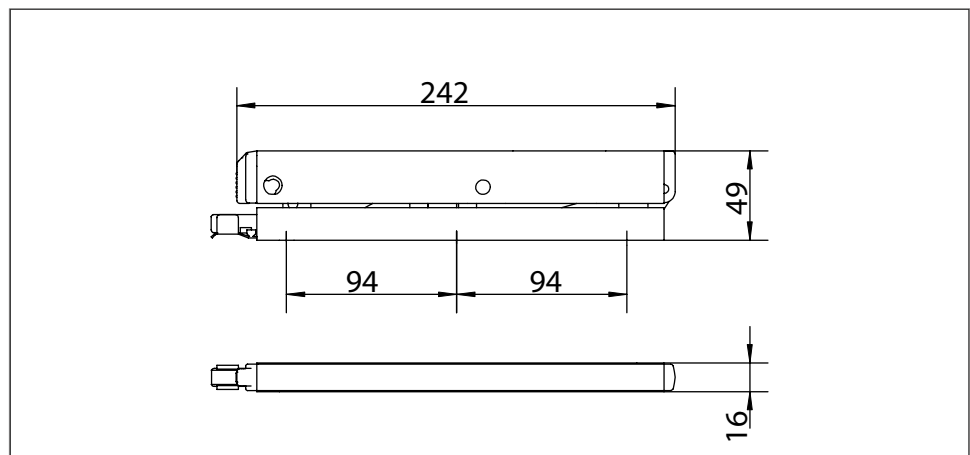
Surface-mounted slimline fanlight opener with an opening width of 170 mm



This fanlight opener is used on vertically installed, inward-opening rectangular windows with bottom-hung, top-hung, side-hung and horizontally pivot-hung casements made of wood, plastic or metal.

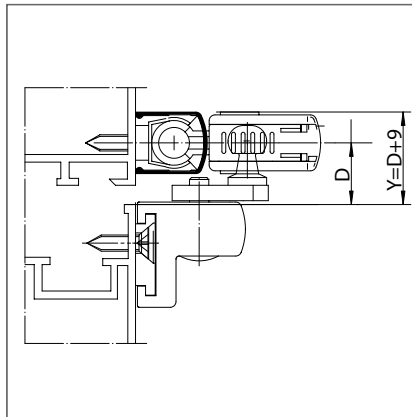
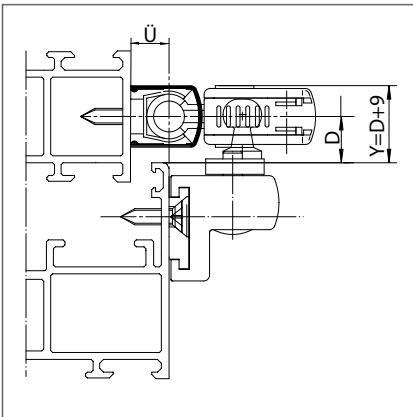
Solutions are also available for special shapes, e.g. angular, triangular, semicircular and segmental arch windows.

The GEZE OL 90 N fulfils the extensive requirements of the RAL quality protection targets and the high RAL quality level.



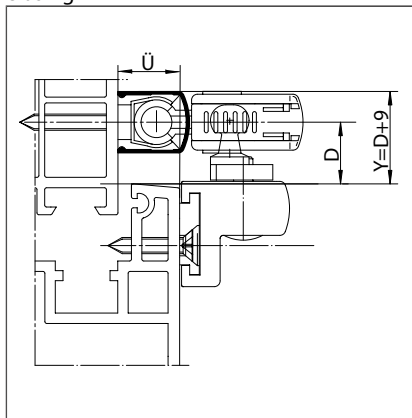
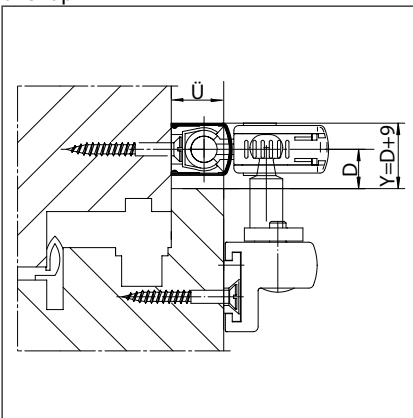
## GEZE SLIMLINE FANLIGHT OPENERS

## OL 90 N installation drawings for rectangular, angular, triangular, semicircular and segmental arch windows



GEZE OL 90 N on light alloy window with overlap

GEZE OL 90 N on light alloy window, flush closing



GEZE OL 90 N on wooden window, Euro-groove

GEZE OL 90 N on plastic window

D = Distance between outer edge of casement and middle of rod

Y = Upper space requirement

Ü = Overlap height

# GEZE SLIMLINE FANLIGHT OPENERS

## GEZE OL 90 N for rectangular windows

### Surface-mounted slimline fanlight opener for rectangular windows with an opening width of 170 mm

The OL 90 N achieves the full opening width of 170 mm with all casement heights. The flat design of the scissor stay and the rod assembly require little space above and to the side of the window casement. Completely preassembled assembly groups make installation easier. The scissor stays and the rod can be installed from the front. Rebate inaccuracies are automatically levelled out by an adjustable pressure setting. Fastening screws are not visible, the clear lines of the OL 90 N therefore remain uninterrupted. The lock in the scissor stay ensures secure casement locking. The easy unhooking of the scissor stay with the help of the release button enables the windows to be cleaned from the inside and outside.



Scholz Haare, Stuttgart, Germany (Photo: Nikolas Grünwald)

#### Area of application

- For vertically installed bottom-hung, top-hung, side-hung and horizontally pivot-hung casements, inward-opening, made of wood, plastic or metal
- With overlap heights of 0-25 mm
- Max. leaf weight 80 kg

Product features	GEZE OL 90 N rectangular windows
Opening width (max.)	170 mm
Casement width (min.)	380 mm
Casement height (min.)	250 mm
Casement weight (max.)	80 kg
Fitting stroke	54 mm
Length	242 mm
Depth	49 mm
Height	16 mm
Functions	
Adjustable opening width (stroke reduction)	•
Casement lock integrated in the scissor stay	•
Scissor stay unhooked by release button	•
Burglar-resistant lock (SKG)	•*
Lockable	•
Unhinging inhibitor	•

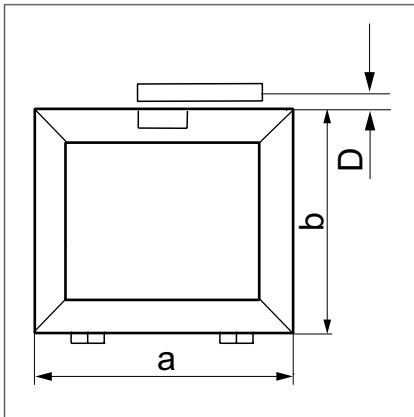
• = Yes

\* = In conjunction with the lock carrier and concealed locks



## GEZE SLIMLINE FANLIGHT OPENERS

## OL 90 N installation drawing for rectangular windows



## Limits of use

Number of scissor stays	Casement width a (min.)	Casement width a (max.)	Casement height b (min.)	Casement weight (max.)	Panel weight (max.)
1	380 mm	1200 mm			40 kg/m <sup>2</sup>
2	1201 mm	2400 mm	250 mm	80 kg	
3	2401 mm	3600 mm			25 kg/m <sup>2</sup>

## Adjustable dimensions and space requirement

Casement height b (min.)	Casement height b (max.)	Adjustable dimension D (min.) top	Space requirement Y, top
250 mm	300 mm	16–18 mm	
301 mm	400 mm	14–18 mm	
401 mm	500 mm	12–18 mm	D(min) + 9 mm
501 mm		10–18 mm	



Hotel Amano, Berlin, Germany (Photo: Stefan Dauth)

# GEZE SLIMLINE FANLIGHT OPENERS

## GEZE OL 90 N special shape for angular windows

### Surface-mounted slimline fanlight opener for angular windows with an opening width of 170 mm

The OL 90 N achieves the full opening width of 170 mm with all casement heights. The flat design of the scissor stay and the rod assembly require little space above and to the side of the window casement. Completely preassembled assembly groups make installation easier. The scissor stays and the rod can be installed from the front. Rebate inaccuracies are automatically levelled out by an adjustable pressure setting. Fastening screws are not visible, the clear lines of the OL 90 N therefore remain uninterrupted. The lock in the scissor stay ensures secure casement locking. The easy unhooking of the scissor stay with the help of the release button enables the windows to be cleaned from the inside and outside.

#### Area of application

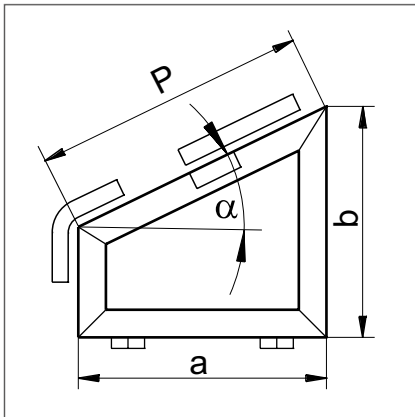
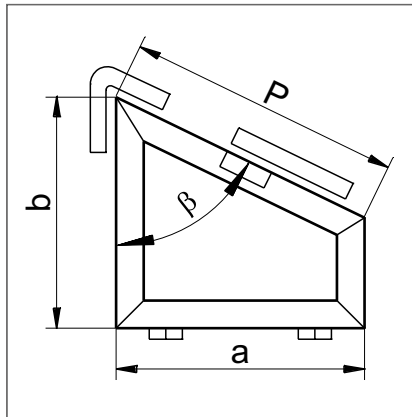
- For vertically installed angular bottom-hung casements, inward-opening, made of wood, plastic or metal
- With overlap heights of 0-25 mm
- Max. leaf weight 80 kg
- Only one scissor stay may be mounted on each window
- Additional locks are recommended from a casement width of 1000 mm

Product features	GEZE OL 90 N for angular windows
Opening width (max.)	170 mm
Casement width (min.)	380 mm
Casement height (min.)	250 mm
Casement weight (max.)	80 kg
Length	242 mm
Depth	49 mm
Height	16 mm
Functions	
Adjustable opening width (stroke reduction)	●
Casement lock integrated in the scissor stay	●
Scissor stay unhooked by release button	●
Burglar-resistant lock (SKG)	○
Lockable	●
Unhinging inhibitor	●

- = Yes
- = No

## GEZE SLIMLINE FANLIGHT OPENERS

## OL 90 N installation drawings for angular windows

Angular window,  $\alpha < 60^\circ$ Special case angular window,  $\beta > 60^\circ$ 

## Limits of use

Tilt angle	Casement width a (min.)	Casement height b (min.)	Casement weight (max.)	Panel weight (max.)	Long side length P
$\alpha \leq 30^\circ$	420 mm	400 mm			
$\alpha = 30^\circ - 40^\circ$	360 mm	550 mm			
$\alpha = 40^\circ - 50^\circ$	320 mm	650 mm	80 kg	30 kg/m <sup>2</sup>	420–2 000 mm
$\alpha = 50^\circ - 60^\circ$	270 mm	750 mm			
Special shape					
$\beta \geq 60^\circ$	420 mm	600 mm	40 kg	25 kg/m <sup>2</sup>	420–1 000 mm

## Adjustable dimensions and space requirement

Operation	Adjustable dimension D (min.) top	Space requirement X side	Adjustable dimension D (min.) side	Space requirement Y, top
With additional lock	10–18 mm	D(min) + 9 mm	-	
Hand lever	10 mm	D(min) + 10 mm	10 mm	D(min) + 9 mm

## GEZE SLIMLINE FANLIGHT OPENERS

### GEZE OL 90 N special shape for triangular windows

#### Surface-mounted slimline fanlight opener for triangular windows with an opening width of 170 mm

The OL 90 N achieves the full opening width of 170 mm with all casement heights.

The flat design of the scissor stay and the rod assembly require little space above and to the side of the window casement.

Completely preassembled assembly groups make installation easier. The scissor stays and the rod can be installed from the front.

Rebate inaccuracies are automatically levelled out by an adjustable pressure setting. Fastening screws are not visible, the clear lines of the OL 90 N therefore remain uninterrupted.

The lock in the scissor stay ensures secure casement locking.

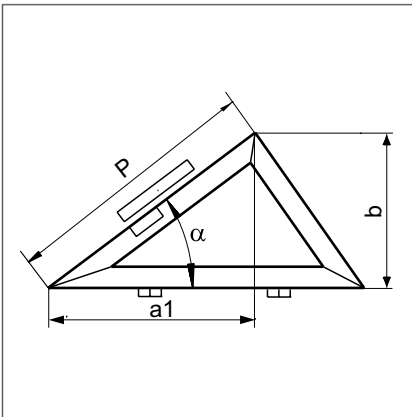
The easy unhooking of the scissor stay with the help of the release button enables the windows to be cleaned from the inside and outside.

#### Area of application

- For vertically installed bottom-hung casements, inward-opening, made of wood, plastic or metal
- With overlap heights of 0-25 mm
- Max. leaf weight 80 kg
- Only one scissor stay may be mounted on each window
- Additional locks are recommended from a casement width of 1000 mm

Product features	GEZE OL 90 N for triangular windows
Opening width (max.)	170 mm
Casement width (min.)	380 mm
Casement height (min.)	250 mm
Casement weight (max.)	80 kg
Length	242 mm
Depth	49 mm
Height	16 mm
Functions	
Adjustable opening width (stroke reduction)	●
Casement lock integrated in the scissor stay	●
Scissor stay unhooked by release button	●
Burglar-resistant lock (SKG)	○
Lockable	●
Unhinging inhibitor	●
● = Yes	
○ = No	

## OL 90 N installation drawing for triangular windows



## Limits of use

Tilt angle	Casement width a1 (min.)	Casement height b (min.)	Casement weight (max.)	Panel weight (max.)	Long side length P
$\alpha \leq 30^\circ$	700 mm	400 mm			
$\alpha = 30^\circ - 40^\circ$	650 mm	550 mm	80 kg	30 kg/m <sup>2</sup>	420–2 000 mm
$\alpha = 40^\circ - 50^\circ$	550 mm	650 mm			
$\alpha = 50^\circ - 60^\circ$	450 mm	750 mm			
Special shape					
$\beta \geq 60^\circ$		600 mm	40 kg	25 kg/m <sup>2</sup>	420–1 000 mm

## Adjustable dimensions and space requirement

Operation	Adjustable dimension D (min.) top	Space requirement X side	Adjustable dimension D (min.) side	Space requirement Y, top
With additional lock	10–18 mm	D(min) + 9 mm	–	D(min) + 9 mm
Hand lever	10 mm	D(min) + 10 mm	10 mm	

# GEZE SLIMLINE FANLIGHT OPENERS

## GEZE OL 90 N special shape for semicircular and segmental arch windows

### Surface-mounted slimline fanlight opener for semicircular and segmental arch windows with an opening width of 170 mm

The OL 90 N achieves the full opening width of 170 mm with all casement heights. The flat design of the scissor stay and the rod assembly require little space above and to the side of the window casement. Completely preassembled assembly groups make installation easier. The scissor stays and the rod can be installed from the front. Rebate inaccuracies are automatically levelled out by an adjustable pressure setting. Fastening screws are not visible, the clear lines of the OL 90 N therefore remain uninterrupted. The lock in the scissor stay ensures secure casement locking. The easy unhooking of the scissor stay with the help of the release button enables the windows to be cleaned from the inside and outside.

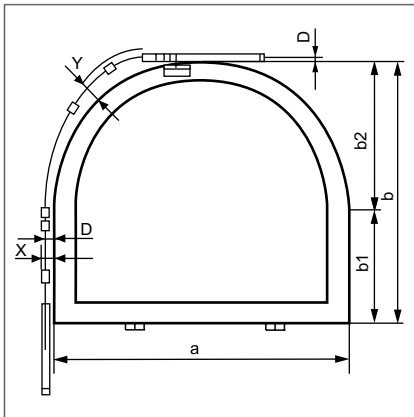
#### Area of application

- For vertically installed bottom-hung casements, inward-opening, as semicircular or segmental arch windows made of wood, plastic or metal
- With overlap heights of 0-25 mm
- Max. leaf weight 80 kg

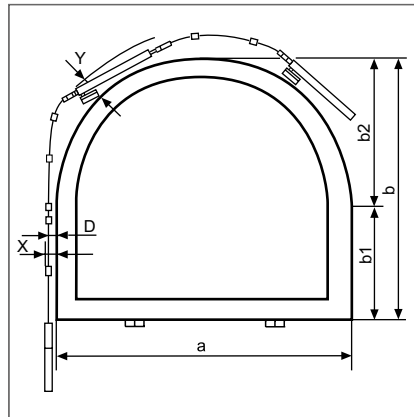
Product features	GEZE OL 90 N for semicircular and segmental arch windows
Opening width (max.)	170 mm
Casement width (min.)	380 mm
Casement height (min.)	250 mm
Casement weight (max.)	80 kg
Length	242 mm
Depth	49 mm
Height	16 mm
Functions	
Adjustable opening width (stroke reduction)	○
Casement lock integrated in the scissor stay	●
Scissor stay unhooked by release button	●
Burglar-resistant lock (SKG)	○
Lockable	●
Unhinging inhibitor	●
● = Yes	
○ = No	

## GEZE SLIMLINE FANLIGHT OPENERS

## OL 90 N installation drawings for semicircular arched windows

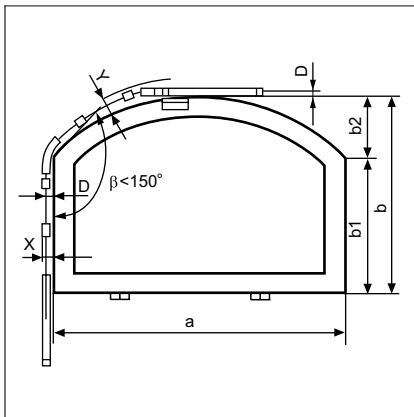


Rebate GEZE OL 90 N semicircular arched window with 1 scissor stay

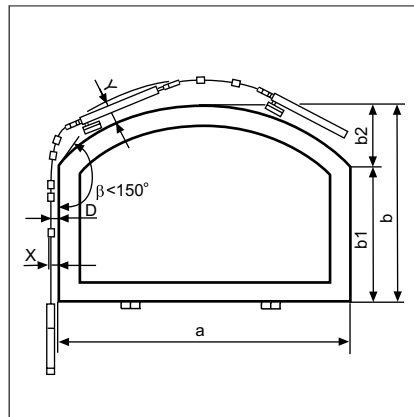


Rebate GEZE OL 90 N semicircular arched window with 2 scissor stays

## OL 90 N installation drawings for segmental arch windows



Rebate GEZE OL 90 N segmental arch window with 1 scissor stay



Rebate GEZE OL 90 N segmental arch window with 2 scissor stays

## Limits of use

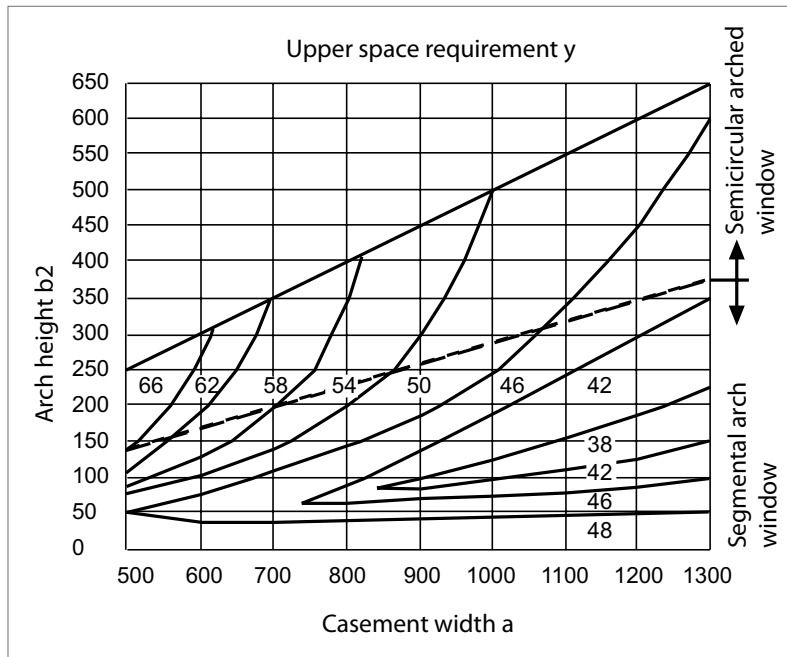
Angle $\beta$	Number of scissor stays	Casement width a (min.)	Casement width a (max.)	Casement height b (min.)	Casement weight (max.)	Panel weight (max.)
> 150°	1	500 mm	1300 mm	300 mm	80 kg	40 kg/m <sup>2</sup>
	2	1301 mm	2400 mm	650 mm		
< 150°	1	500 mm	1300 mm	250 mm	80 kg	40 kg/m <sup>2</sup>
	2	1301 mm	2400 mm	500 mm		

## Adjustable dimensions and space requirement

Casement height b (min.)	Casement height b (max.)	Adjustable dimension D (min.) top	Space requirement X side	Adjustable dimension D (min.) side	Space requirement Y, top
250 mm	300 mm	16 mm	D(min) + 10 mm	12 mm or 10/14	see diagram
301 mm	400 mm	12–16 mm			
401 mm		10–16 mm			

# GEZE SLIMLINE FANLIGHT OPENERS

## D dimension and upper space requirement for semicircular and segmental arch windows





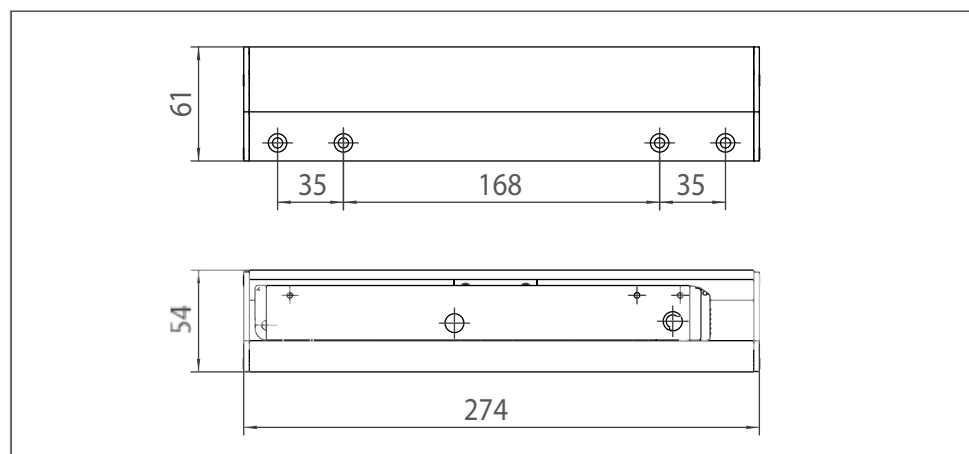
## GEZE SLIMLINE FANLIGHT OPENERS

### GEZE OL 90 N top-hung, outward-opening

#### Slimline fanlight opener with burglar-resistant lock



The OL 90 N top-hung, outward-opening achieves the full opening width of 170 mm with all casement heights. The flat design of the scissor stay and the rod assembly require little space below and to the side of the window casement. Completely preassembled assembly groups make installation easier. The scissor stays and the rod can be installed from the front. Rebate inaccuracies are automatically levelled out by an adjustable pressure setting. Fastening screws are not visible, the clear lines of the OL 90 N top-hung, outward-opening therefore remain uninterrupted. The lock in the scissor stay ensures secure casement locking. The easy unhooking of the scissor stay with the help of the release button enables the windows to be cleaned from the inside and outside.



#### Area of application

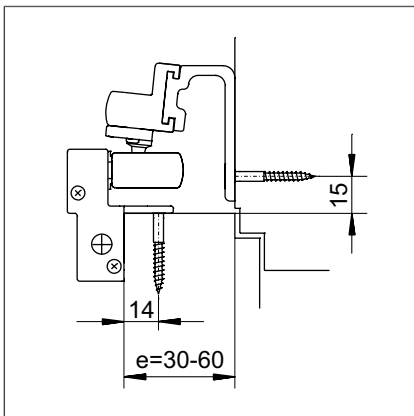
- For vertically installed top-hung casements, outward-opening, made of wood, plastic or metal
- Suitable for reveal depths of 0 - 60 mm
- Can be operated from the left and right
- Operation possible by means of hand lever, crank rod or electric linear drive

# GEZE SLIMLINE FANLIGHT OPENERS

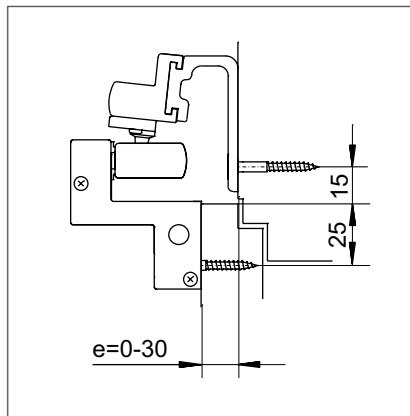
Product features	GEZE OL 90 N top-hung, outward-opening
Opening width (max.)	170 mm
Casement width (min.)	600 mm
Casement height (min.)	370 mm
Casement weight (max.)	80 kg
Length	274 mm
Depth	54 mm
Height	61 mm
Functions	
Adjustable opening width (stroke reduction)	●
Casement lock integrated in the scissor stay	●
Scissor stay unhooked by release button	●
Burglar-resistant lock (SKG)	●
Lockable	○
Unhinging inhibitor	○

● = Yes  
○ = No

## OL 90 N top-hung, outward-opening - installation drawings

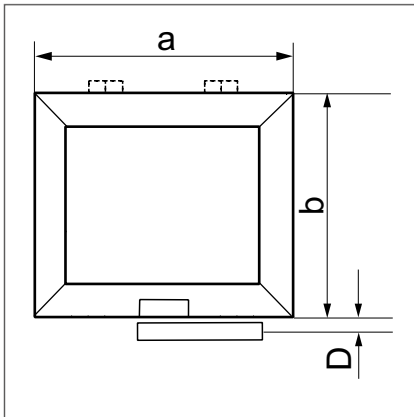


OL 90 N top-hung, outward-opening on wooden windows  
Euro-groove, reveal depth 30-60 mm



OL 90 N top-hung, outward-opening on wooden windows  
Euro-groove, reveal depth 0-30 mm

e = reveal depth

**OL 90 N top-hung, outward-opening installation drawing for rectangular windows****Limits of use**

Number of scissor stays	Casement width a (min.)	Casement width a (max.)	Casement height b (min.)	Casement weight (max.)	Panel weight (max.)
1	600 mm	1000 mm	370 mm	80 kg	30 kg/m <sup>2</sup>
	1001 mm	1200 mm			
2	1201 mm	1500 mm			
	1501 mm	2400 mm			



Stiftung Ecksberg, Mühlendorf, Germany (Photo: Robert Sprang)

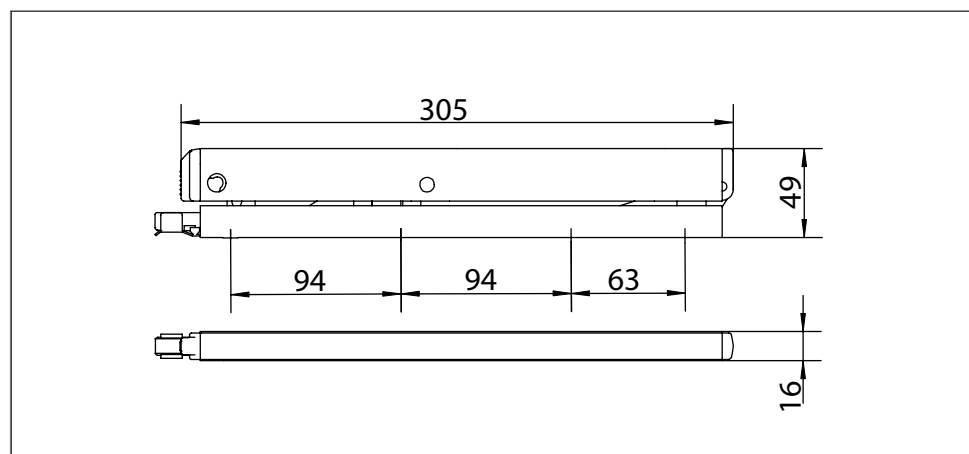
## GEZE SLIMLINE FANLIGHT OPENERS

### GEZE OL 95

Surface-mounted slimline fanlight opener for rectangular windows with an opening width of 220 mm



The OL 95 achieves the full opening width of 220 mm with all casement heights. The flat design of the scissor stay and the rod assembly require little space above and to the side of the window casement. Thanks to its low construction height it can be inconspicuously installed in post-rail constructions. Completely preassembled assembly groups make installation easier. The scissor stays and the rod can be installed from the front. Rebate inaccuracies are automatically levelled out by an adjustable pressure setting. Fastening screws are not visible, the clear lines of the OL 95 therefore remain uninterrupted. The lock in the scissor stay ensures secure casement locking. The easy unhooking of the scissor stay with the help of the release button enables the windows to be cleaned from the inside and outside. The GEZE OL 95 fulfils the extensive requirements of the RAL quality protection targets and the high RAL quality level.



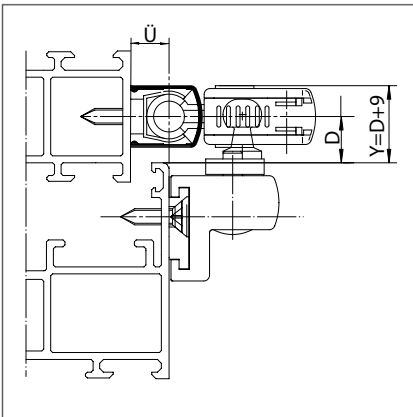
#### Area of application

- Primarily used in post-rail constructions
- For vertically installed bottom-hung, top-hung, side-hung and horizontally pivot-hung casements, inward-opening, made of wood, plastic or metal
- Suitable for overlap heights of 0-25 mm
- Leaf weights of up to 60 kg

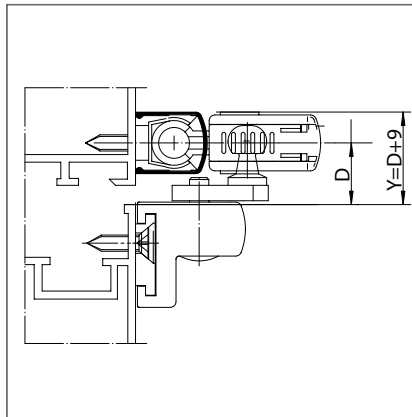
## GEZE SLIMLINE FANLIGHT OPENERS

Product features	GEZE OL 95
Opening width (max.)	220 mm
Casement width (min.)	440 mm
Casement height (min.)	350 mm
Casement weight (max.)	60 kg
Fitting stroke	54 mm
Length	305 mm
Depth	49 mm
Height	16 mm
Functions	
Adjustable opening width (stroke reduction)	●
Casement lock integrated in the scissor stay	●
Scissor stay unhooked by release button	●
Burglar-resistant lock (SKG)	○
Lockable	●
Unhinging inhibitor	●
● = Yes	
○ = No	

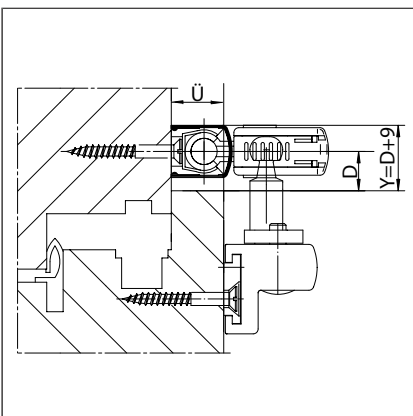
## OL 95 installation drawings for rectangular windows



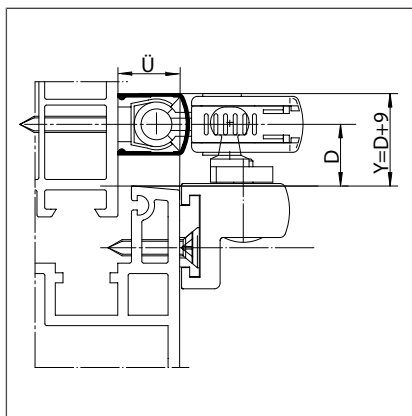
GEZE OL 95 on light alloy window with overlap



GEZE OL 95 on light alloy window, flush-closing



GEZE OL 95 on wooden window, Euro-groove



GEZE OL 95 on plastic window

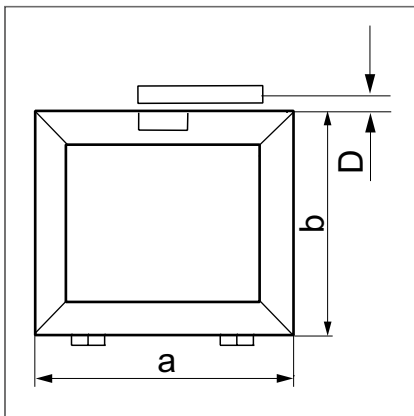
D = Distance between outer edge of casement and middle of rod

Y = Upper space requirement

Ü = Overlap height

# GEZE SLIMLINE FANLIGHT OPENERS

## OL 95 installation drawing for rectangular windows



### Limits of use

Number of scissor stays	Casement width a (min.)	Casement width a (max.)	Casement height b (min.)	Casement weight (max.)	Panel weight (max.)
1	440 mm	1200 mm	350 mm	60 kg	30 kg/m <sup>2</sup>
2	1201 mm	2400 mm			25 kg/m <sup>2</sup>
3	2401 mm	3600 mm			

### Adjustable dimensions and space requirement

Casement height b (min.)	Casement height b (max.)	Adjustable dimension D (min.) top	Space requirement Y, top
350 mm	400 mm	18 mm	D(min) + 9 mm
401 mm	450 mm	16–18 mm	
451 mm	600 mm	14–18 mm	
601 mm	601 mm	12–18 mm	

## GEZE SLIMLINE FANLIGHT OPENERS

## Order information

Description	Version	ID No.
GEZE OL 90 N scissor stay with standard casement bracket	EV1	030373
	dark bronze	030374
	white RAL 9016	030377
	black	074509
	according to RAL	030376
GEZE OL 90 N scissor stay lockable, with casement bracket	EV1	029183
	dark bronze	029184
	white RAL 9016	029187
	according to RAL	029186
GEZE OL 90 N scissor stay with sliding casement bracket	EV1	030596
	dark bronze	030597
	white RAL 9016	030600
	black	074511
	according to RAL	030599
GEZE OL 90 N scissor stay without casement bracket	EV1	071203
	dark bronze	071204
	white RAL 9016	071207
	black	099477
	according to RAL	071206
GEZE OL 90 N scissor stay with unhinging inhibitor and casement bracket	EV1	030498
	dark bronze	030499
	white RAL 9016	030502
	according to RAL	030501
GEZE OL 90 N scissor stay for top-hung, outward-opening casements, left, reveal depth 0-30 mm, with casement bracket	EV1	118060
	white RAL 9016	118081
	according to RAL	118082
GEZE OL 90 N scissor stay for top-hung, outward-opening casements, right, reveal depth 0-30 mm, with casement bracket	EV1	117700
	white RAL 9016	117771
	according to RAL	117772
GEZE OL 90 N scissor stay for top-hung, outward-opening casements, left, reveal depth 30-60 mm, with casement bracket	EV1	118083
	white RAL 9016	118084
	according to RAL	118085
GEZE OL 90 N Scissor stay for top-hung, outward-opening casements, right, reveal depth 30-60 mm, with casement bracket	EV1	117773
	white RAL 9016	117774
	according to RAL	117775
GEZE OL 95 scissor stay with standard casement bracket	EV1	082445
	white RAL 9016	082448
	according to RAL	082449
GEZE OL 95 scissor stay without casement bracket	EV1	084194
	dark bronze	084195
	white RAL 9016	084197
	black	084198
	according to RAL	084199
GEZE OL 95 scissor stay with unhinging inhibitor and casement bracket	EV1	082638
	dark bronze	082639
	white RAL 9016	082641
	according to RAL	082643

# GEZE SLIMLINE FANLIGHT OPENERS

## Order information

Description	Version	ID No.
<b>Installation materials</b>		
Cover profile OL 90 length 2000 mm Available from stock Fixpack (25)	EV1	030401
	dark bronze	030402
	white RAL 9016	030405
	black	074537
	according to RAL	030404
Cover profile OL 90 length 3000 mm Available from stock Fixpack (25)	EV1	030396
	dark bronze	030397
	white RAL 9016	030400
	black	074539
	according to RAL	030399
Cover profile OL 90 length 6000 mm Available from stock Fixpack (25)	LM raw	027556
	EV1	027558
	dark bronze	027559
	white RAL 9016	027561
	black	074540
	according to RAL	028342
Rod Ø 8 mm Available from stock Fixpack (25)	L=2000 mm galvanised	016555
	L=3000 mm galvanised	016591
	L=6000 mm galvanised	016592
Drilling template For wooden windows		054799
Drilling template For metal and plastic windows		054800
Drilling template for 2-scissor stay arched window F45		071861
Accessories for multi-part drilling template		020477
Additional drilling template for Euro-groove casement bracket		028141
Rod guide Pack of 10		010878
Pull-rod guide and connector plate	dark bronze	002750
	galvanised	002747
Rod coupling for rod 8 mm	galvanised	043546



## GEZE SLIMLINE FANLIGHT OPENERS

## Order information

Description	Version	ID No.
<b>Accessories</b>		
Standard casement bracket suitable for OL 90 N / OL 95	silver	074424
	dark bronze	074425
	white RAL 9016	074428
	black	080228
	according to RAL	074427
Standard casement bracket for wooden windows with Euro-groove suitable for OL 90 N	silver	030886
	dark bronze	030887
	white RAL 9016	030890
	black	099475
	according to RAL	030889
Sliding casement bracket suitable for OL 90 N / OL 95 on special window shapes	silver	084398
	dark bronze	084399
	white RAL 9016	084401
	black	084402
	according to RAL	084403
Sliding casement bracket suitable for OL 90 N / OL 95 on wooden windows with Euro-groove	silver	071198
	dark bronze	071199
	white RAL 9016	071202
	black	099476
	according to RAL	071201
Additional lock for OL 90 N / OL 95 For projection height 0 - 17 mm	EV1	030519
	dark bronze	030520
	white RAL 9016	030523
	according to RAL	030522
Additional lock for OL 90 N / OL 95 For projection height 14 - 25 mm	EV1	030524
	dark bronze	030525
	white RAL 9016	030528
	according to RAL	030527

# GEZE SLIMLINE FANLIGHT OPENERS

## Order information

Description	Version	ID No.
Removable crank rod, with angled crank Cut to size, per m	EV1	077434
	dark bronze	108478
	white RAL 9016	108480
	according to RAL	108491
Removable crank rod, with angled crank Extended length 1400 mm	EV1	050856
	dark bronze	057589
	white RAL 9016	015879
	according to RAL	015987
Fixed crank rod, with angled crank, with crank rod holder Cut to size	EV1	077433
	dark bronze	108474
	white RAL 9016	108476
	according to RAL	108477
Fixed crank rod, with angled crank, with crank rod holder Extended length 1400 mm	EV1	050857
	dark bronze	050858
	white RAL 9016	015864
	according to RAL	015986
Angled crank Fz45/32	brown	056952
	silver	056951
	white RAL 9016	014795
Crank rod for DIY installation Connection tube for crank rod, length 6000 mm	EV1	053262
	dark bronze	053263
Connection tube for crank rod, length 6000 mm	white RAL 9016	014706
	according to RAL	015982
	EV1	030391
Accessories for hand lever, swivelling suitable for OL 90 N / OL 95	dark bronze	030392
	white RAL 9016	030395
	according to RAL	030394
	EV1	030611
Hand lever with corner transmission suitable for OL 90 N / OL 95	dark bronze	030612
	white RAL 9016	030615
	black	077945
	according to RAL	030614
Hand lever suitable for OL 90 N / OL 95	EV1	026882
	dark bronze	026884
	white RAL 9016	026887
	black	079113
Hand lever, lockable suitable for OL 90 N / OL 95	according to RAL	026886
	EV1	083841
	dark bronze	083842
	white RAL 9016	083844
Hand lever with flexible corner transmission for special window shapes suitable for OL 90 N / OL 95	according to RAL	085230
	EV1	076911
	dark bronze	076912
	white RAL 9016	076915
	black	080227
	according to RAL	076916

## GEZE SLIMLINE FANLIGHT OPENERS

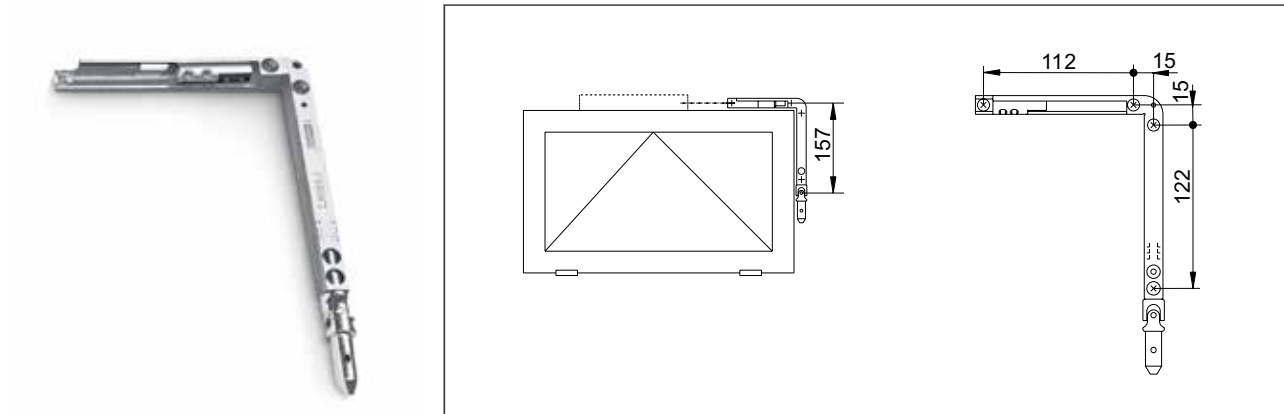
## Order information

Description	Version	ID No.
GEZE corner operating gear Fz 90	galvanised	030809
Corner transmission with integrated gear, without crank rod, without crank, left version	black	030810
GEZE corner operating gear Fz 90	galvanised	030811
Corner transmission with integrated gear, without crank rod, without crank, right version	black	030812
GEZE vertical gear Fz 91	galvanised	030817
With accessories for vertical installation, with corner transmission, without crank rod, without crank	black	030818
GEZE vertical gear Fz 91	galvanised	030822
With accessories for vertical installation, without corner transmission, without crank rod, without crank	black	030823
GEZE gear Fz 92	silver	030777
With accessories for horizontal and angular installation, without crank rod, without crank	dark bronze	030778
Corner transmission flexible for special window shapes	galvanised	071354
Corner transmission	galvanised	070546
Pillar/frame transmission size 75	EV1	030744
	dark bronze	030745
	white RAL 9016	030748
	according to RAL	030747
Pillar/frame transmission size 150	EV1	030749
	dark bronze	030750
	white RAL 9016	030753
	according to RAL	030752
Transmission for corner bracket or hinge	EV1	030902
	dark bronze	030903
	white RAL 9016	030906
	black	074510
	according to RAL	030905
Flexible rod without accessories Pull length = 700 mm	brown	008481
	EV1 + white RAL 9016	022718
Flexible rod without accessories Pull length = 1000 mm	EV1 + white RAL 9016	022720
	brown	008483
Flexible rod without accessories Pull length = 1250 mm	EV1 + white RAL 9016	022721
	brown	008485
Flexible rod without accessories Pull length 350 to 3000 mm Special length cut to size	brown	072131
	EV1 + white RAL 9016	072130
Accessories for flexible rod (special window shapes)	EV1 + white RAL 9016	030862
Corner guide for flexible rod for angular or segmental arch windows	EV1 + white RAL 9016	030764
Guide for flexible rod	EV1 + white RAL 9016	022791

# GEZE SLIMLINE FANLIGHT OPENERS

## GEZE corner operating gear Fz 90

The corner transmission with integrated gear can be used for fixed and removable crank rods. The crank operation enables convenient operation and intermediate ventilation positions. It is used on vertically installed, inward-opening rectangular windows with bottom-hung or top-hung casements. The corner operating gear Fz 90 can be used on narrow window casements from a width of 380 mm.



Rectangular window with GEZE Fz 90

Technical data	
Product features	GEZE corner operating gear Fz 90
Width	16 mm
Stroke	54 mm
Cross-bar diameter (rod connector)	8 mm
Crank revolutions up to max. opening	9
Optional stroke limitation	•
Fully covered by profile	•
Optional: adjustable overload protection (set to 7 Nm in factory)	•

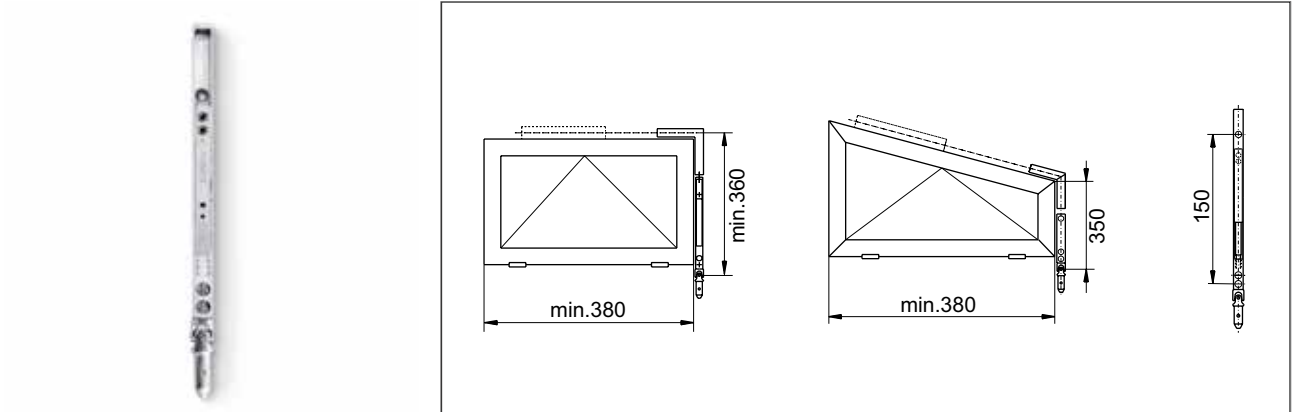
• = Yes

Description	Version	ID No.
GEZE corner operating gear Fz 90	galvanised	030809
Corner transmission with integrated gear, without crank rod, without crank, left version	black	030810
GEZE corner operating gear Fz 90	galvanised	030811
Corner transmission with integrated gear, without crank rod, without crank, right version	black	030812

# GEZE SLIMLINE FANLIGHT OPENERS

## GEZE vertical gear Fz 91

This gear can be used for fixed and removable crank rods, left and right. The crank operation enables convenient operation and intermediate ventilation positions. It is used on vertically installed, inward-opening rectangular windows with bottom-hung or top-hung casements and on angular windows in conjunction with a flexible corner bracket.



Rectangular and angular windows with GEZE Fz 91

### Technical data

Product features	GEZE vertical gear Fz 91
Width	16 mm
Stroke	54 mm
Pull-bar diameter (rod connector)	8 mm
Crank revolutions up to max. opening	9
Optional stroke limitation	•
Fully covered by profile	•
Optional: adjustable overload protection (set to 7 Nm in factory)	•

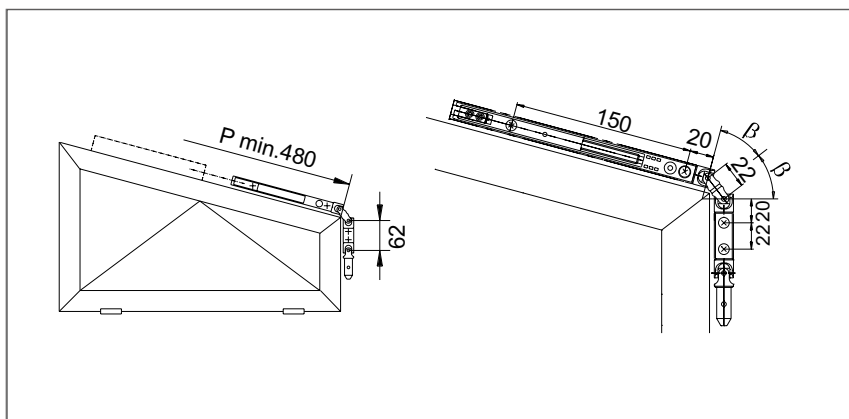
• = Yes

Description	Version	ID No.
GEZE vertical gear Fz 91	galvanised	030822
With accessories for vertical installation, without corner transmission, without crank rod, without crank	black	030823

# GEZE SLIMLINE FANLIGHT OPENERS

## GEZE gear Fz 92

This gear can be used for fixed and removable crank rods, left and right. The crank makes operation easy and enables intermediate ventilation positions. It is used on vertically installed angular and triangular windows; it can also be used as a horizontal gear for rectangular windows.



Angular window with Fz 92

Technical data	
Product features	GEZE gear Fz 92
Width	16 mm
Stroke	54 mm
Cross-bar diameter (rod connector)	8 mm
Crank revolutions up to max. opening	9
Deflection angle	90°–160°
Optional stroke limitation	•
Fully covered by profile	•
Optional: Adjustable overload protection (set to 7 Nm in factory)	•

• = Yes

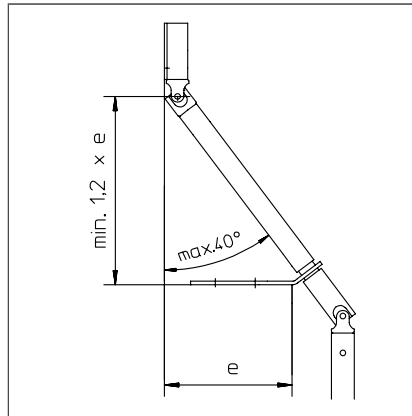
Description	Version	ID No.
GEZE gear Fz 92	silver	030777
With accessories for horizontal and angular installation, without crank rod, without crank	dark bronze	030778

# GEZE SLIMLINE FANLIGHT OPENERS

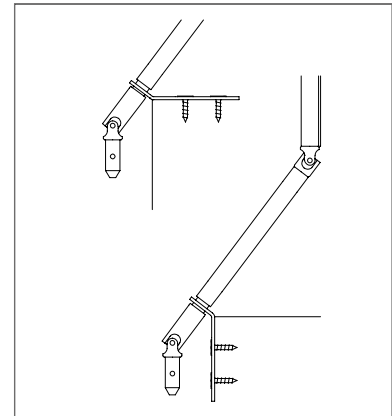
## Fixed crank rod

Crank rods enable flexible and convenient operation of windows.

The pivoting bearing is a flexible, galvanised or black, steel angle bracket and can be adapted to different tilt angles. It can be installed on the reveal, in front of the reveal or at the side in the reveal. The crank rod sits at a distance of 25 mm from the wall.



Installation drawing - pivoting bearing,  
fixed crank rod  
e = reveal depth



Pivot bearing for gear and crank rods

### Technical data

Product feature	Fixed crank rod, with angled crank, with crank rod holder
Diameter	15 mm

### Description

Description	Version	ID No.
Fixed crank rod, with angled crank, with crank rod holder Cut to size	EV1	077433
	dark bronze	108474
	white RAL 9016	108476
	according to RAL	108477

### Description

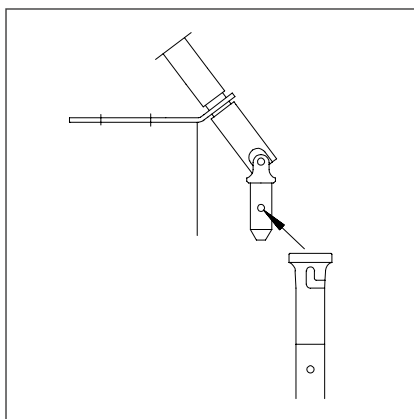
Description	Version	ID No.
Fixed crank rod, with angled crank, with crank rod holder Extended length 1400 mm	EV1	050857
	dark bronze	050858
	white RAL 9016	015864
	according to RAL	015986

# GEZE SLIMLINE FANLIGHT OPENERS

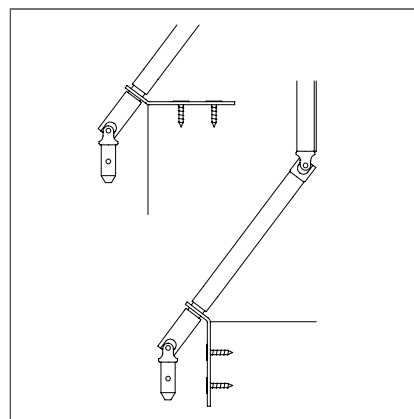
## Removable crank rod

Crank rods enable flexible and convenient operation of windows.

The pivoting bearing is a flexible, galvanised or black, steel angle bracket and can be adapted to different tilt angles. It can be installed on the reveal, in front of the reveal or at the side in the reveal. The crank rod sits at a distance of 25 mm from the wall.



Installation drawing - pivoting bearing, removable crank rod



Pivot bearing for gear and crank rods

Technical data	
Product feature	Removable crank rod, with angled crank
Diameter	15 mm

Description	Version	ID No.
Removable crank rod, with angled crank Cut to size	EV1	077434
	dark bronze	108478
	white RAL 9016	108480
	according to RAL	108491

Description	Version	ID No.
Removable crank rod, with angled crank Extended length 1400 mm	EV1	050856
	dark bronze	057589
	white RAL 9016	015879
	according to RAL	015987



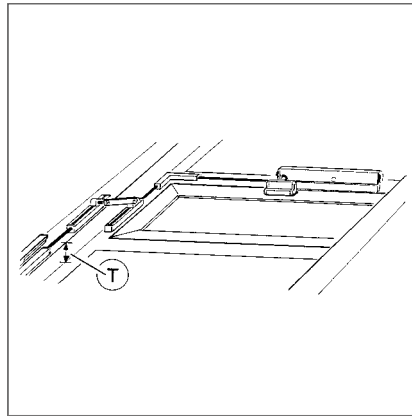
# GEZE SLIMLINE FANLIGHT OPENERS

## Pillar/frame transmission

The pillar/frame transmission can be used on vertically installed bottom-hung casements made of wood, plastic or metal with projection heights of 0-25 mm. The max. casement weight is 80 kg. It can be operated using a hand lever, gear Fz 91 or an electric motor. The pillar projection is bridged by a linkage bracket, see Figure.



Augustinum, Stuttgart, Germany  
(Photo: Dirk Wilhemy)



Transmission with pull rod  
T = Projection between post or rail and window frame

### Technical data

Product features	Pillar/frame transmission
Pillar and rail projection size 75	T = 0–75 mm
Pillar and rail projection size 150	T = 0–150 mm

### Description

Description	Version	ID No.
Pillar/frame transmission size 75	EV1	030744
	dark bronze	030745
	white RAL 9016	030748
	according to RAL	030747

### Description

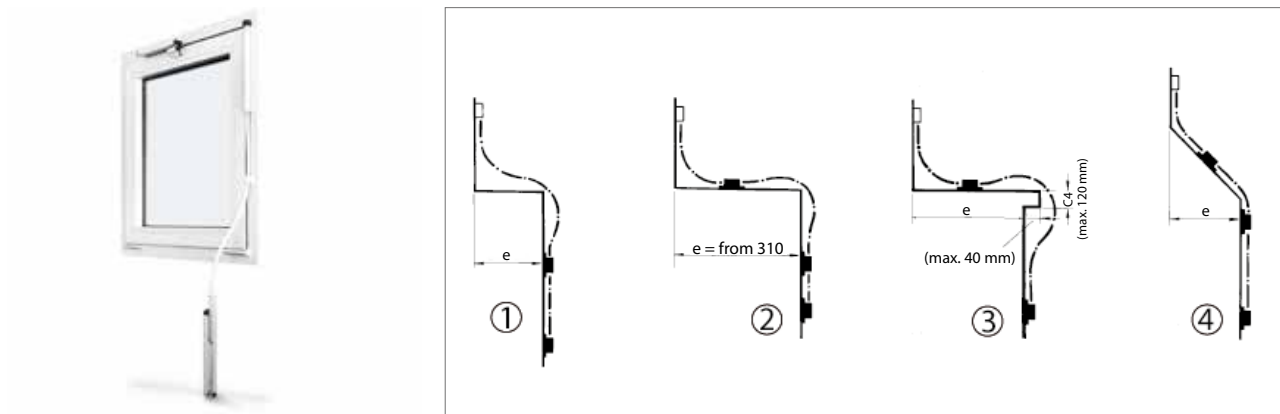
Description	Version	ID No.
Pillar/frame transmission size 150	EV1	030749
	dark bronze	030750
	white RAL 9016	030753
	according to RAL	030752

# GEZE SLIMLINE FANLIGHT OPENERS

## Flexible rod

Window sill transmission with flexible rod for transmission onto different levels. The window sill transmission for the fanlight opener is simple and adaptable. Installation is fast and easy, the guide is visually attractive.

Note: The flexible window sill transmission is only suitable for a casement up to 1200 mm.



### Transmission with pull rod

- 1 = Window sill with reveal depth  $e =$  up to 310 mm (pull length 700 mm)
- 2 = Window sill with reveal depth  $e =$  over 310 mm (pull length 700 mm up to  $e = 380$  mm)/  
(pull length 1000 mm up to  $e = 680$  mm)
- 3 = Window sill with reveal projection (pull length 700 mm up to  $e + e1 = 310$  mm)/  
(pull length 1000 mm up to  $e + e1 = 610$  mm)
- 4 = Angular window sill (pull length 700 mm up to  $e = 380$  mm)/(pull length 1000 mm up to  $e = 680$  mm)
- $e =$  Reveal depth

Technical data	
Product features	Flexible rod without accessories
Pull length 700 mm	$e = 0-350$ mm
Pull length 1000 mm	$e = 0-650$ mm
Pull length 1250 mm	

Description	Version	ID No.
Flexible rod without accessories Pull length = 700 mm	EV1 + white RAL 9016	022718
	brown	008481

Description	Version	ID No.
Flexible rod without accessories Pull length = 1000 mm	EV1 + white RAL 9016	022720
	brown	008483

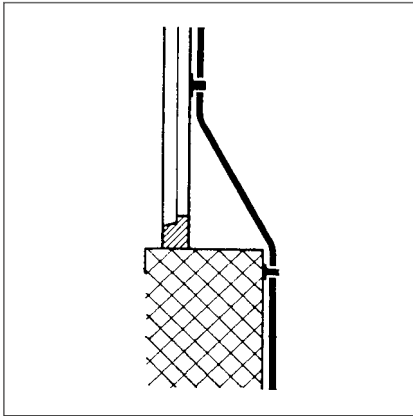
Description	Version	ID No.
Flexible rod without accessories Pull length = 1250 mm	EV1 + white RAL 9016	022721
	brown	008485

Description	Version	ID No.
Accessories for flexible transmission including connector plates	EV1 + white RAL 9016	030798
	brown	030797

## GEZE SLIMLINE FANLIGHT OPENERS

## Cranked rod

The cranked rod is used for reveal depths up to approx. 150 mm.



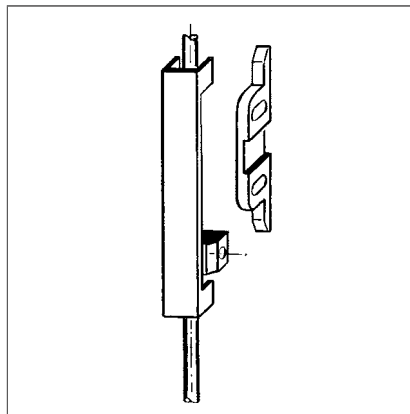
Transmission with cranked rod

Description	Version	ID No.
Pull rod Ø 10 mm, length 2000 mm	galvanised	004892
Additional packing for cranked rod Ø 10 mm	galvanised	058124

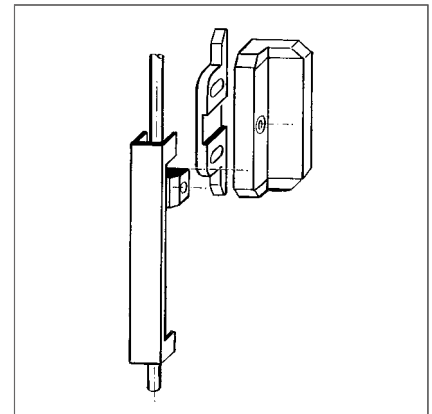
## Additional locks for OL 90 N / OL 95



Projection height 14-25 mm



Projection height 14-25 mm



Projection height 0-17 mm

Description	Version	ID No.
Additional lock for OL 90 N / OL 95 For projection height 0 - 17 mm	EV1	030519
	dark bronze	030520
	white RAL 9016	030523
	according to RAL	030522

Description	Version	ID No.
Additional lock for OL 90 N / OL 95 For projection height 14 - 25 mm	EV1	030524
	dark bronze	030525
	white RAL 9016	030528
	according to RAL	030527

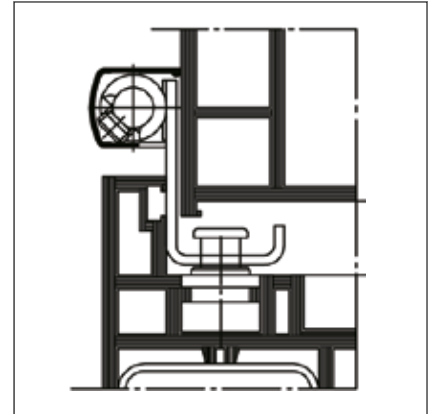
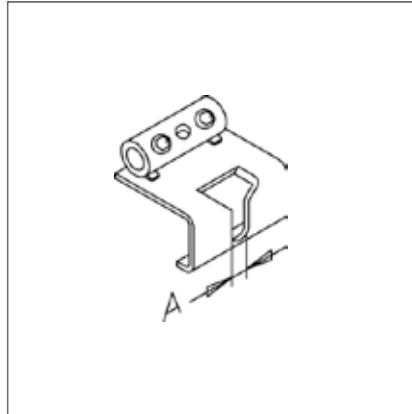
## GEZE SLIMLINE FANLIGHT OPENERS

### Concealed lock OL 90 N / OL 95

The GEZE lock carrier ensures tightness and security over the whole locked surface and is burglar-resistant.

The carrier is used for standard central locks (concealed locks) and is easy to clamp.

The carrier is designed to match the profile and fitting. Used in conjunction with a central lock on site, all-round locking of the casement is possible.



A = diameter of different locking bolts

Description	Version	ID No.
Lock carrier for OL 90 N	A=8.5 mm	024953
For concealed locks with coupling OL 90 N	A=11.5 mm	029722
	A=15.5 mm	030294

# GEZE SLIMLINE FANLIGHT OPENERS

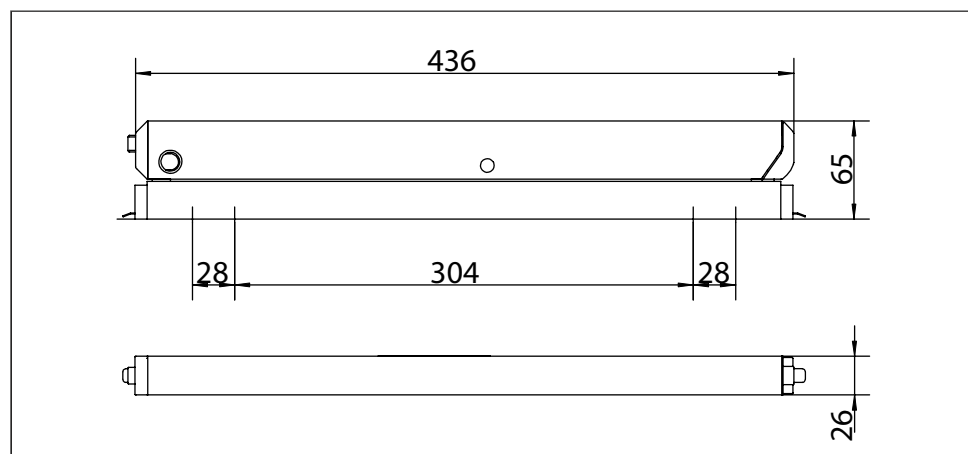
## GEZE OL 320

Surface-mounted slimline fanlight opener for rectangular windows with an opening width of 320 mm



The OL 320 is suitable for heavy window casements (up to max. 250 kg). The flat design of the scissor stay and the rod assembly require little space above and to the side of the window casement. The façade elevation remains unchanged. The locking of the opening system in the scissor stay ensures secure locking of the casement.

The result is increased tightness and burglary protection of the window. The connection between the scissor stay and casement bracket can be easily and conveniently released using the safety button. The window can therefore be effortlessly cleaned from the inside and outside. The casement can be rehung just as conveniently, because the scissor stay and casement bracket are connected by a ball-type coupling. The safety button indicates correct latching of the scissor stay in the ball head of the casement bracket.



### Area of application

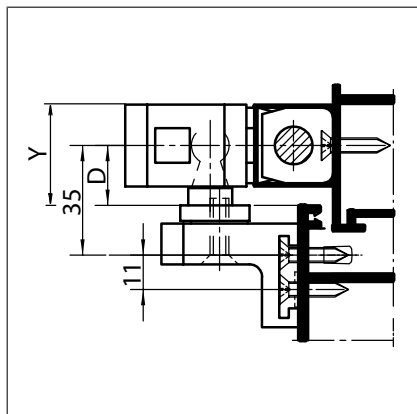
- For vertically installed bottom-hung, top-hung, side-hung and horizontally pivot-hung casements, inward-opening, made of wood, plastic or metal
- Can be used on the left and right
- Suitable for overlap heights of 0-25 mm
- Leaf weights of up to 250 kg

# GEZE SLIMLINE FANLIGHT OPENERS

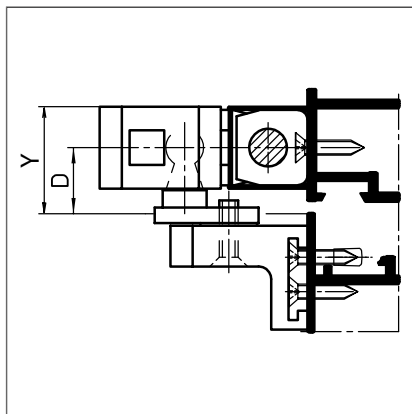
Product features	GEZE OL 320
Opening width (max.)	320 mm
Casement width (min.)	680 mm
Casement height (min.)	400 mm
Casement weight (max.)	250 kg
Length	436 mm
Depth	65 mm
Height	26 mm
Functions	
Adjustable opening width (stroke reduction)	●
Casement lock integrated in the scissor stay	●
Scissor stay unhooked by release button	●
Burglar-resistant lock (SKG)	○
Lockable	○
Unhinging inhibitor	●

● = Yes ○ = No

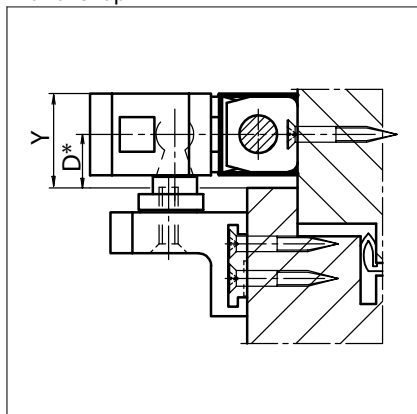
## OL 320 installation drawings



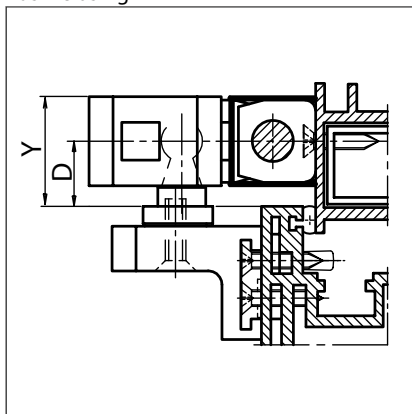
GEZE OL 320 on light alloy window with overlap



GEZE OL 320 on light alloy window, flush-closing



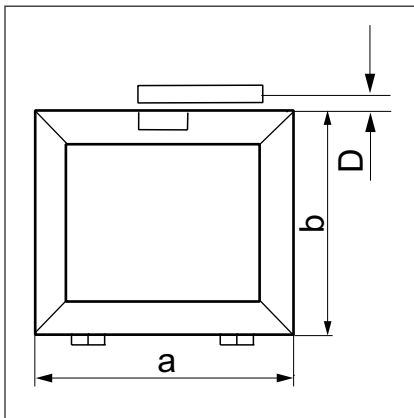
GEZE OL 320 on wooden window



GEZE OL 320 on plastic window

D = Distance between outer edge of casement and middle of rod  
 D\* = Distance between outer edge of casement and middle of rod (preferably 17 mm)  
 Y = Upper space requirement

## OL 320 installation drawing for rectangular windows



## Limits of use

Number of scissor stays	Casement width a (min.)	Casement width a (max.)	Casement height b (min.)	Casement weight (max.)
1	680 mm	1200 mm		
2	1201 mm	2400 mm	400 mm	250 kg
3	2401 mm	3600 mm		

## Adjustable dimensions and space requirement

Casement height b (min.)	Casement height b (max.)	Adjustable dimension D (min.) top	Space requirement Y, top
	400 mm	23 mm	34 mm
401 mm	450 mm	21–23 mm	
451 mm	600 mm	19–23 mm	D(min) + 13
601 mm		17–23 mm	

## Order information

Description	Version	ID No.
GEZE OL 320 with unhinging inhibitor and sliding casement bracket	EV1	131288
	white RAL 9016	131289
	according to RAL	131290
GEZE OL 320 with sliding casement bracket	EV1	128211
	white RAL 9016	128212
	according to RAL	128213
<b>Installation materials</b>		
Drilling template for wood		137150
Drilling template for metal and plastic		137152
Rod guide		058653
Connection rod Length 168 mm	galvanised	059728
Connection rod For casement widths up to 1200 mm (1 scissor stay), length 820 mm	galvanised	059726
Connection rod For casement widths up to 2400 mm (2 scissor stays), length 2000 mm	galvanised	059727
Rod Ø 12 mm Available from stock Fixpack (25)	galvanised	053198
	galvanised	053199
	galvanised	054116

## GEZE SLIMLINE FANLIGHT OPENERS

## Order information

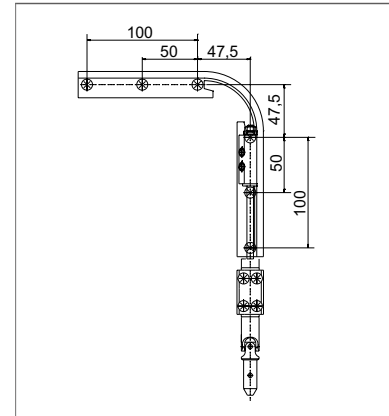
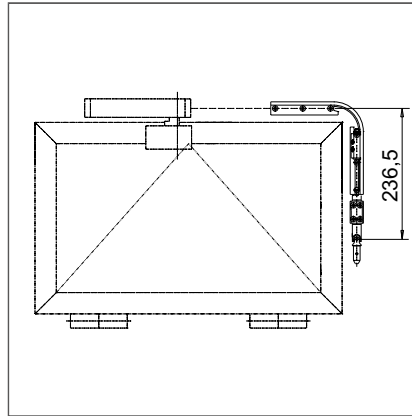
Description	Version	ID No.
Corner bracket cover OL 320	EV1	012560
	white RAL 9016	018245
	according to RAL	015459
Cover profile OL 320 length 2000 mm	EV1	058771
	white RAL 9016	018293
	according to RAL	014258
Cover profile OL 320 length 3000 mm	EV1	058774
	white RAL 9016	018294
	according to RAL	014259
Cover profile OL 320 length 6000 mm	EV1	058630
	white RAL 9016	018251
	according to RAL	013814
Additional packing, end cover (for end of scissor stay)	EV1	058633
	white RAL 9016	018254
	according to RAL	013816
Additional angle for overlap height 0-12 mm	EV1	050727
	white RAL 9016	015519
	according to RAL	013077
Additional lock for OL 320 without additional angle, overlap height 12-25 mm	EV1	063974
	white	018257
	according to RAL	013080
Lock carrier for OL 320 Aluminium windows	8.5 mm	024954
	11.5 mm	029717
Lock carrier for OL 320 Wood and plastic windows	8.5 mm	029855
	11.5 mm	029856
	15.5 mm	030295
Lock carrier for OL 320 Light alloy windows	8.5 mm	028905
<b>Accessories</b>		
Standard casement bracket suitable for OL 320 with back plate, short	EV1	139179
	white RAL 9016	139180
	according to RAL	139211
Hand lever Stroke 42 mm, for opening widths up to approx. 220 mm suitable for OL 320	EV1	131658
	white RAL 9016	131659
	according to RAL	131660
Hand lever Stroke 70 mm, for opening widths up to approx. 320 mm suitable for OL 320	EV1	131652
	white RAL 9016	131653
	according to RAL	131654
Hand lever Stroke 70 mm, with corner transmission suitable for OL 320	EV1	131610
	white RAL 9016	131611
	according to RAL	131612
GEZE corner operating gear Fz 100 Without crank rod, without crank		018194
GEZE vertical gear Fz 101 Without crank rod, without crank		018196



# GEZE SLIMLINE FANLIGHT OPENERS

## GEZE corner operating gear Fz 100

The corner transmission with integrated gear for fixed and removable crank bars ensures ease of use and enables intermediate ventilation positions. The corner operating gear can be used on the left and right on vertically installed, inward-opening bottom-hung casements. It can be used on rectangular windows and, thanks to the flexible corner transmission, it can also be used on angular windows.



Rectangular window with GEZE Fz 100

### Technical data

Product features	GEZE corner operating gear Fz 100
Width	26 mm
Stroke	70 mm
Cross-bar diameter (rod connector)	12 mm
Crank revolutions up to max. opening	10
Optional stroke limitation	•
Fully covered by profile	•
Optional: adjustable overload protection (set to 7 Nm in factory)	•

• = Yes

### Description

GEZE corner operating gear Fz 100  
Without crank rod, without crank

### ID No.

018194

## GEZE SLIMLINE FANLIGHT OPENERS

### GEZE vertical gear Fz 101

The corner operating gear for fixed and removable crank rods can be used on the left and right on vertically installed, inward-opening bottom-hung casements. The crank makes operation easy and enables intermediate ventilation positions. It can be used on rectangular windows and, thanks to the flexible corner transmission, it can also be used on angular windows.



#### Technical data

Product features	GEZE corner operating gear Fz 101
Width	26 mm
Stroke	70 mm
Cross-bar diameter (rod connector)	12 mm
Crank revolutions up to max. opening	10
Optional stroke limitation	●
Fully covered by profile	●
Optional: adjustable overload protection (set to 7 Nm in factory)	●

● = Yes

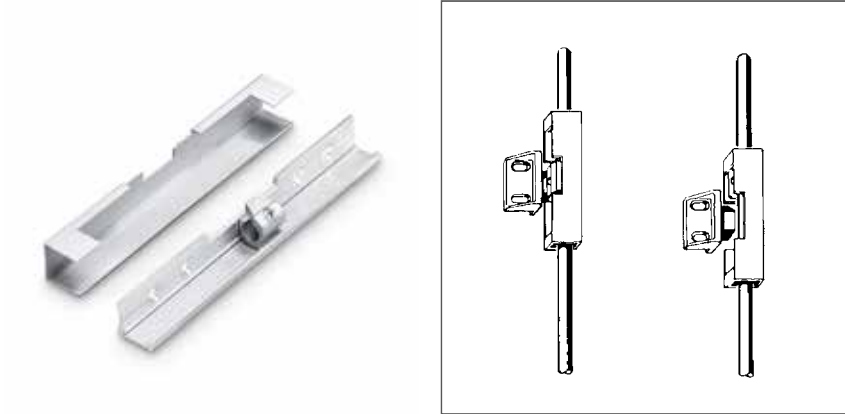
#### Description

Description	ID No.
GEZE vertical gear Fz 101 Without crank rod, without crank	018196

## GEZE SLIMLINE FANLIGHT OPENERS

## Additional lock OL 320

A corner transmission is also required if used on the opposite side to the hand lever.

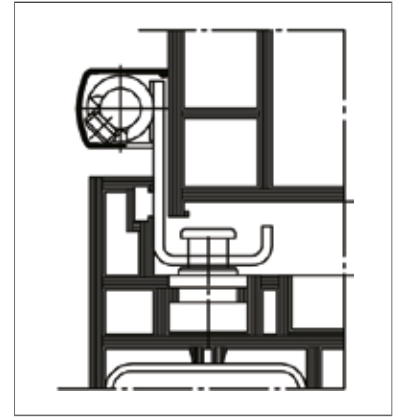
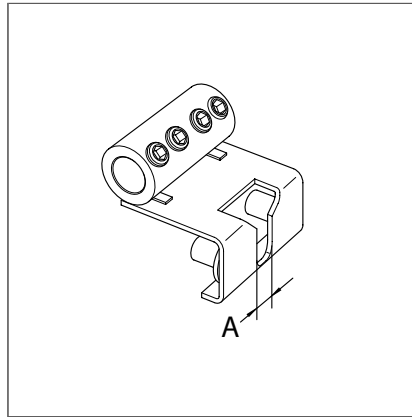


Description	Version	ID No.
Additional lock for OL 320	EV1	063974
without additional angle, overlap height 12-25 mm	white	018257
	according to RAL	013080

## GEZE SLIMLINE FANLIGHT OPENERS

### Concealed lock OL 320

The GEZE lock carrier ensures tightness and security over the whole locked surface and is burglar-resistant. The carrier is used for standard central locks (concealed locks) and is easy to clamp. The carrier is designed to match the profile and fitting. Used in conjunction with a central lock on site, all-round locking of the casement is possible.



A = diameter of different locking bolts

Description	Version	ID No.
Lock carrier for OL 320 Aluminium windows	A = 8.5 mm	024954
	A = 11.5 mm	029717

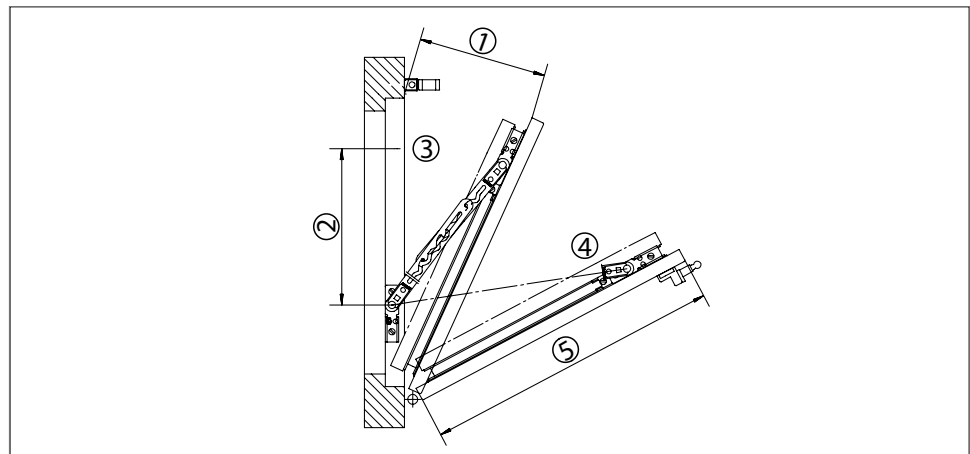
Description	Version	ID No.
Lock carrier for OL 320 Wood and plastic windows	A = 8.5 mm	029855
	A = 11.5 mm	029856
	A = 15.5 mm	030295

Description	ID No.
Lock carrier for OL 320 Light alloy windows	028905

## GEZE SLIMLINE FANLIGHT OPENERS

### GEZE gripping and cleaning scissor stay (FPS)

For bottom-hung casements, safeguards must be provided in addition to the fanlight opener, which limit the tilting movement of the casement (grip position), so that the casements do not become a source of danger. GEZE FPS is the «intelligent» gripping and cleaning scissor stay for vertically installed bottom-hung rectangular windows. Up to the cleaning position, the arresting bolts slide along guide shafts in a telescopic rod. This merely requires the left-hand rod to be raised by hand. If the casement threatens to fall, the arresting bolts are hurled into the opposite arresting hooks by the guide rollers and therefore stop the fall. Two FPS gripping and cleaning scissor stays and two accessory mounting plates are necessary for wooden/plastic and light alloy windows.



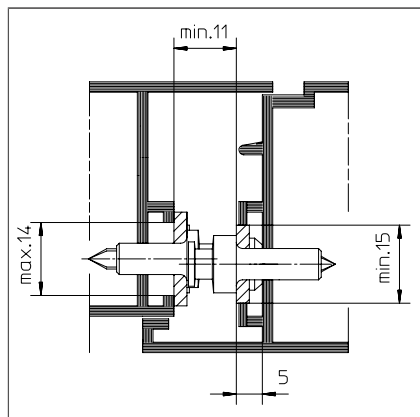
- 1 = Restricted opening width
- 2 = Length when closed
- 3 = Gripping position
- 4 = Cleaning position
- 5 = Casement height

#### Area of application

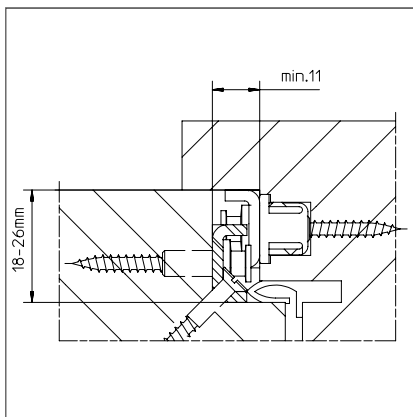
- For OL 90 N, OL 95 and OL 320
- For vertically installed bottom-hung casements
- For rectangular windows
- Rebate width min. 11 mm
- Rebate depth min. 18 mm

# GEZE SLIMLINE FANLIGHT OPENERS

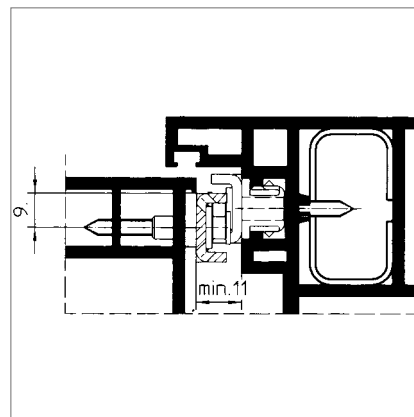
## Gripping and cleaning scissor stay (FPS) - installation drawings



FPS on light alloy window (installation without washers)



FPS on wooden window



FPS on plastic window

## Order information

Description	Version	ID No.
GEZE gripping and cleaning scissor stay (FPS) FPS 340 Size 1	galvanised	030249
GEZE gripping and cleaning scissor stay (FPS) FPS 520 Size 2	galvanised	030250
GEZE gripping and cleaning scissor stay (FPS) FPS 720 Size 3	galvanised	030251
<b>Installation materials</b>		
Mounting plates for gripping and cleaning scissor stay For light alloy windows (fixings for casement and frame)		030252
Mounting plates for gripping and cleaning scissor stay For plastic windows (fixings for casement with Euro-groove and frame)		070182
Mounting plates for gripping and cleaning scissor stay For wooden and plastic windows (fixings for casement with Euro-groove and frame)		030253
Frame washers for gripping and cleaning scissor stay For plastic windows	3 mm 5 mm	029334 029335
Frame washers for gripping and cleaning scissor stay For plastic windows with inclined rebate		030383
Casement shim for gripping and cleaning scissor stay	4 mm	009324
	5 mm	009325
	7 mm	013305
	8 mm	025635
	9 mm	009321
Frame washers for gripping and cleaning scissor stay For light alloy windows	3 mm 5 mm	009326 009328
Rebate templates for gripping and cleaning scissor stay (FPS)		024741

# GEZE SLIMLINE FANLIGHT OPENERS

## GEZE OL 90 N and OL 95 - photographic overview

GEZE lockable hand lever



GEZE swivel-mounted hand lever



GEZE corner transmission



GEZE hand lever with flexible corner transmission



GEZE sliding casement bracket



GEZE scissor stay with unhinging inhibitor



GEZE lockable scissor stay



GEZE corner operating gear Fz 90, left



GEZE vertical gear Fz 91 with corner transmission

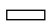




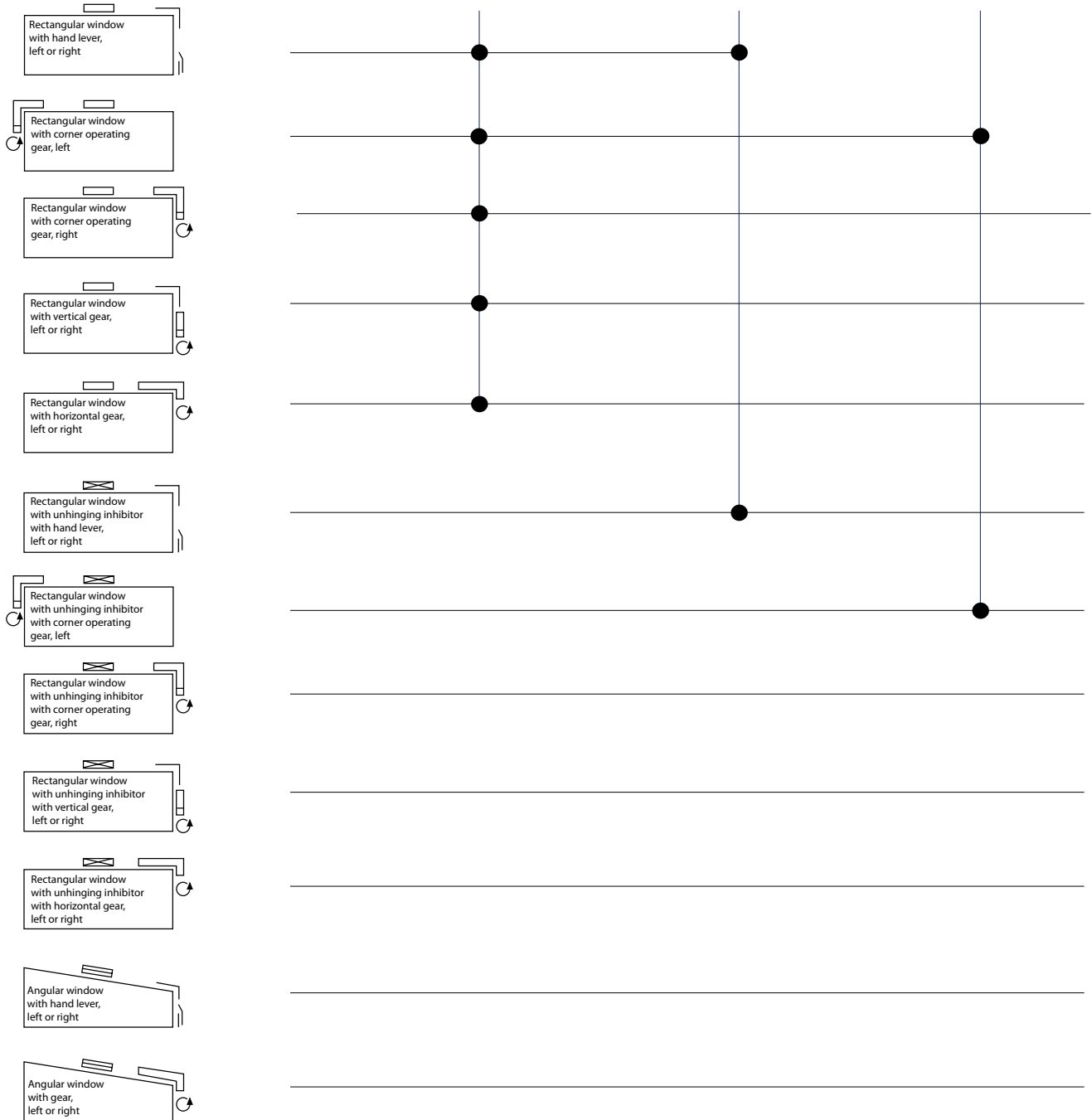
GEZE gear Fz 92



# GEZE SLIMLINE FANLIGHT OPENERS



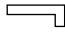
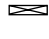
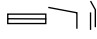
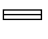
## Packaging unit applications: GEZE OL 90 N

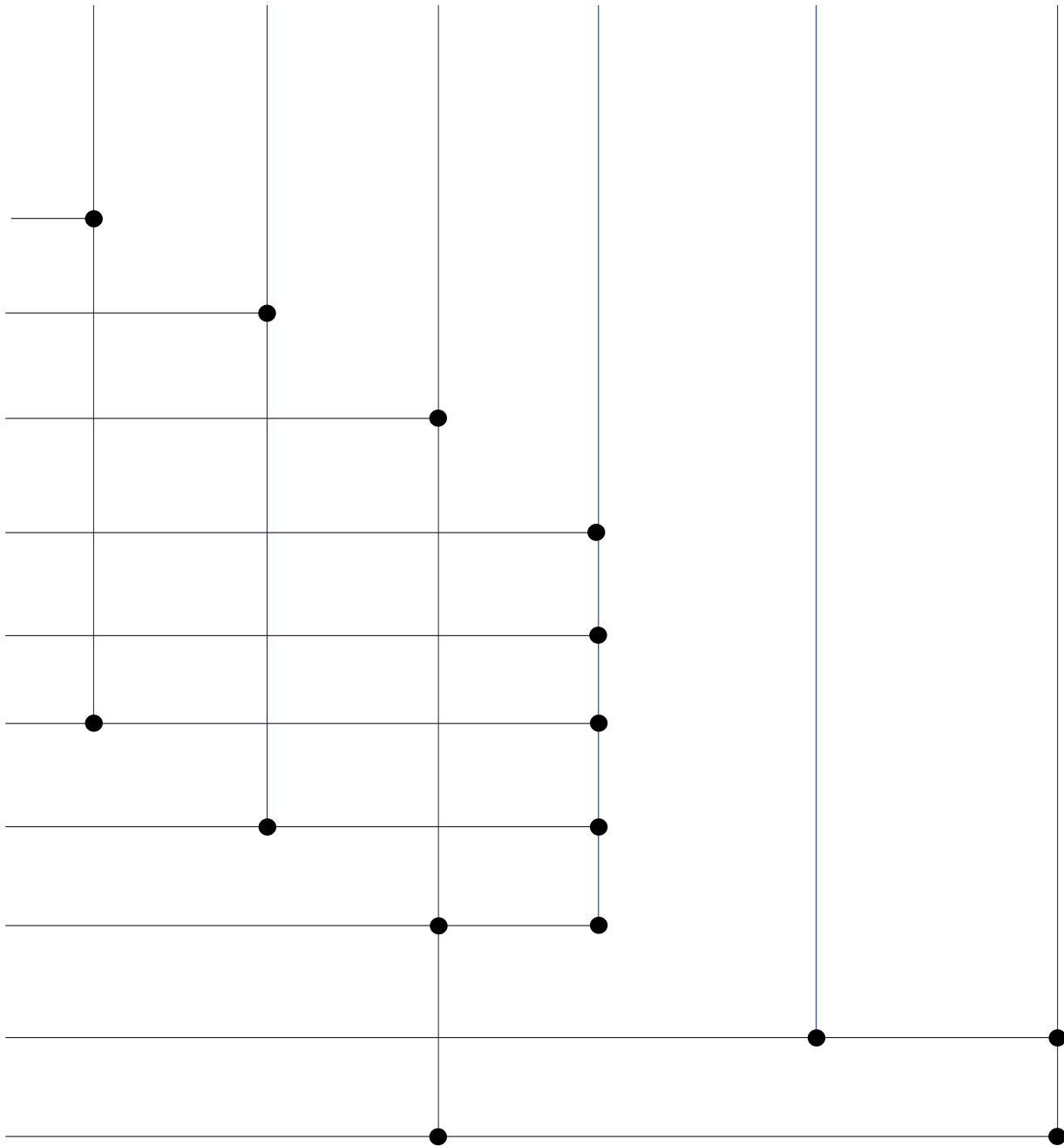
Applications	Packing units					
	ID. No.		ID. No.		ID. No.	
	Scissor		Hand lever with corner transmission		Corner operating gear Fz 90, left	
	silver	030373	silver	030611	silver	030809
	white RAL 9016	030377	white RAL 9016	030615	white RAL 9016	030810
						





# GEZE SLIMLINE FANLIGHT OPENERS

Packing units					
ID. No.	ID. No.	ID. No.	ID. No.	ID. No.	ID. No.
Corner operating gear Fz 90, right	Vertical gear Fz 91 with corner transmission	Gear Fz 92	Scissor stay with unhinging inhibitor	Hand lever with flexible corner transmission	Scissor stay with sliding casement bracket
galvanised 030811 black 030812	galvanised 030817 black 030818	silver/white 030778	silver 030498 white RAL 9016 030502	silver 076911 white RAL 9016 076915	silver white RAL 9016 <small>Scissor stay and corresponding casement bracket</small>
					



# POTENTIAL APPLICATIONS OF GEZE PRODUCTS

You will find more product information in the relevant brochures, see ID numbers.

<b>Door technology</b>	
<b>01</b>	Overhead door closers ID 091593, ID 091594
<b>02</b>	Hold-open systems ID 091593, ID 091594
<b>03</b>	Integrated door closers ID 091609
<b>04</b>	Floor springs and all-glass fittings ID 091607
<b>05</b>	Sliding fitting systems and linear guides ID 123605, ID 000586
<b>Automatic door systems</b>	
<b>06</b>	Swing doors ID 144785
<b>07</b>	Sliding, telescopic and folding doors ID 143639
<b>08</b>	Curved sliding doors ID 135772
<b>09</b>	Revolving doors ID 132050
<b>10</b>	Activation devices and sensors ID 142655
<b>Smoke and heat extraction and window technology</b>	
<b>11</b>	Fanlight opening systems ID 127787
<b>12</b>	Electric opening and locking systems ID 127785, ID 127789
<b>13</b>	Electrical spindle and linear drives ID 127785, ID 127789
<b>14</b>	Electric chain drives ID 127785, ID 127789
<b>15</b>	Smoke and heat extraction systems ID 127785, ID 139075
<b>Safety technology</b>	
<b>16</b>	Emergency exit systems ID 132408
<b>17</b>	Access control systems ID 132158
<b>18</b>	Panic locks ID 132848
<b>19</b>	Electric strikes ID 148666
<b>20</b>	Building management system ID 132408
<b>Glass systems</b>	
<b>21</b>	Manual sliding wall systems (MSW) ID 104377
<b>22</b>	Integrated all-glass systems (IGG) ID 104366



# POTENTIAL APPLICATIONS OF GEZE PRODUCTS




---

## Door technology

---

The functionality, superior performance and reliability of GEZE door closers are impressive. A common design across the range, the ability to use them on all common door leaf widths and weights, and the fact that they can be individually adjusted makes their selection simple. They are continually being improved and enhanced with up-to-date features. For example, the requirements of fire protection and accessibility are fulfilled with a door closer system.

---

## Automatic door systems

---

GEZE automatic door systems open up a huge variety of options in door design. The latest, innovative high-performance drive technology, safety, ease of accessibility and first class universal drive design set them apart. GEZE offers complete solutions for individual requirements.

---

## Smoke and heat extraction and window technology

---

GEZE smoke and heat extraction systems and ventilation technology provide complete systems solutions combining the many requirements of different types of windows. We supply a full range from energy efficient drive systems to natural ventilation and complete solutions for supplying and extracting air, also as certified SHEVs.

---

## Safety technology

---

GEZE safety technology sets the standards where preventative fire protection, access control and anti-theft security in emergency exits are concerned. For each of these objectives GEZE offers tailored solutions, which combine the individual safety requirements in one intelligent system and close doors and windows in case of danger in a coordinated manner.

---

## Building systems

---

In GEZE's Building Management System GEZE door, window and safety products can be integrated in to the security and control systems of the building. A central control and visualisation system monitors various automation components in the building and offers security through many different networking capabilities.

---

## Glass systems

---

GEZE glass systems stand for open and transparent interior design. They can either blend discreetly into the architecture of the building or stand out as an accentuated feature. GEZE offers a wide variety of technologies for functional, reliable and aesthetic sliding wall or sliding door systems providing security with lots of design scope.

**GEZE GmbH**  
P.O. Box 1363  
71226 Leonberg  
Germany

**GEZE GmbH**  
Reinhold-Vöster-Straße 21-29  
71229 Leonberg  
Germany  
Telefon +49 7152 203 0  
Telefax +49 7152 203 310  
www.geze.com

**Germany**  
GEZE GmbH  
Niederlassung Süd-West  
Breitwiesenstraße 8  
71229 Leonberg  
Tel. +49 7152 203 594  
Fax +49 7152 203 438  
leonberg.de@geze.com

GEZE GmbH  
Niederlassung Süd-Ost  
Parkring 17  
85748 Garching bei München  
Tel. +49 7152 203 6440  
Fax +49 7152 203 77050  
muenchen.de@geze.com

GEZE GmbH  
Niederlassung Ost  
Albert-Einstein-Ring 5  
14532 Kleinmachnow bei Berlin  
Tel. +49 7152 203 6840  
Fax +49 7152 203 76849  
berlin.de@geze.com

GEZE GmbH  
Niederlassung Mitte/Luxemburg  
Adenauerallee 2  
61440 Oberursel (b. Frankfurt)  
Tel. +49 7152 203 6888  
Fax +49 7152 203 6891  
frankfurt.de@geze.com

GEZE GmbH  
Niederlassung West  
Heltorfer Straße 12  
40472 Düsseldorf  
Tel. +49 7152 203 6770  
Fax +49 7152 203 76770  
duesseldorf.de@geze.com

GEZE GmbH  
Niederlassung Nord  
Albert-Schweitzer-Ring 24-26 (3. OG)  
22045 Hamburg  
Tel. +49 7152 203 6600  
Fax +49 7152 203 76608  
hamburg.de@geze.com

GEZE Service GmbH  
Niederlassung Süd-West  
Reinhold-Vöster-Straße 25  
71229 Leonberg  
Tel. +49 1802 923392  
Fax +49 7152 9233 359  
service-leonberg.de@geze.com

GEZE Service GmbH  
Niederlassung Süd  
Parkring 17  
85748 Garching bei München  
Tel. +49 1802 923392  
Fax +49 7152 9233 859  
service-muenchen.de@geze.com

GEZE Service GmbH  
Niederlassung Mitte  
Oberurseler Str. 69  
61440 Oberursel  
Tel. +49 1802 923392  
Fax +49 7152 9233 659  
service-oberursel.de@geze.com

GEZE Service GmbH  
Niederlassung West  
Heltorfer Straße 12  
40472 Düsseldorf  
Tel. +49 1802 923392  
Fax +49 7152 9233 559  
service-duesseldorf.de@geze.com

GEZE Service GmbH  
Niederlassung Ost  
Albert-Einstein-Ring 5  
14532 Kleinmachnow bei Berlin  
Tel. +49 1802 923392  
Fax +49 7152 9233 759  
service-berlin.de@geze.com

GEZE Service GmbH  
Niederlassung Nord  
Albert-Schweitzer-Ring 24-26 (3. OG)  
22045 Hamburg  
Tel. +49 1802 923392  
Fax +49 7152 9233 459  
service-hamburg.de@geze.com

**Austria**  
GEZE Austria  
Wiener Bundesstrasse 85  
A-5300 Hallwang  
Tel: +43 6225 87180  
Fax: +43 6225 87180 299  
austria.at@geze.com

**Baltic States –  
Lithuania / Latvia / Estonia**  
Tel. +371 678960 35  
baltic-states@geze.com

**Benelux**  
GEZE Benelux B.V.  
Industrieterrein Kapelbeemd  
Steenoven 36  
5626 DK Eindhoven  
Tel. +31 4026290 80  
Fax +31 4026290 85  
benelux.nl@geze.com

**Bulgaria**  
GEZE Bulgaria - Trade  
Representative Office  
Nickolay Haitov 34 str., fl. 1  
1172 Sofia  
Tel. +359 247043 73  
Fax +359 247062 62  
office-bulgaria@geze.com

**China**  
GEZE Industries (Tianjin) Co., Ltd.  
Shuangchenzhong Road  
Beichen Economic Development  
Area (BEDA)  
Tianjin 300400, P.R. China  
Tel. +86 22 26973995  
Fax +86 22 26972702  
chinasales@geze.com.cn

GEZE Industries (Tianjin) Co., Ltd.  
Branch Office Shanghai  
Jia Little Exhibition Center  
Room C 2-102  
Shenzhuan Rd. 6000  
201619 Shanghai, P.R. China  
Tel. +86 21 52340960  
Fax +86 21 64472007  
chinasales@geze.com.cn

GEZE Industries (Tianjin) Co., Ltd.  
Branch Office Guangzhou  
Room 17 C 3  
Everbright Bank Building, No.689  
Tian He Bei Road  
510630 Guangzhou, P.R. China  
Tel. +86 20 38731842  
Fax +86 20 38731834  
chinasales@geze.com.cn

GEZE Industries (Tianjin) Co., Ltd  
Branch Office Beijing  
Room 04-05, 7th Floor  
Red Sandalwood Plaza  
No. 27 Jianguo Road  
Chaoyang District  
100024 Beijing, P.R.China  
Tel. +86 10 85756009  
Fax +86 10 85758079  
chinasales@geze.com.cn

**France**  
GEZE France S.A.R.L.  
ZAC de l'Orme Rond  
RN 19  
77170 Servon  
Tel. +33 1 606260 70  
Fax +33 1 606260 71  
france.fr@geze.com

**Hungary**  
GEZE Hungary Kft.  
Hungary-2051 Biatorbágy  
Vendel Park  
Huber u. 1.  
Tel. +36 23532 735  
Fax +36 23532 738  
office-hungary@geze.com

**Iberia**  
GEZE Iberia S.R.L.  
C/ Andorra 24  
08830 Sant Boi de Llobregat  
(Barcelona)  
Tel. +34 902194 036  
Fax +34 902194 035  
info@geze.es

**India**  
GEZE India Private Ltd.  
MF 2 & 3, Guindy Industrial Estate  
Ekkattuthangal  
Chennai 600 097  
Tamilnadu  
Tel. +91 44 406169 00  
Fax +91 44 406169 01  
office-india@geze.com

**Italy**  
GEZE Italia S.r.l  
Sede di Vimercate  
Via Fiorbellina 20  
20871 Vimercate (MB)  
Tel. +39 0399530401  
Fax+39 039 9530459/419  
italia.it@geze.com

Sede di Roma  
Via Lucrezia Romana, 91  
00178 Roma  
Tel. +39 039 9530401  
Fax +39 039 9530449  
italia.it@geze.com

**Poland**  
GEZE Polska Sp. z o.o.  
ul. Marywilska 24  
03-228 Warszawa  
Tel. +48 224 404 440  
Fax +48 224 404 400  
geze.pl@geze.com

**Romania**  
GEZE Romania S.R.L.  
IRIDE Business Park,  
Str. Dimitrie Pompeiu nr. 9-9a,  
Building 10, Level 2, Sector 2,  
020335 Bucharest  
Tel.: +40 212507 750  
Fax: +40 316201 258  
office-romania@geze.com

**Russia**  
OOO GEZE RUS  
Letnikovskaya str. 10/2  
Floor 6, room VII  
115114 Moscow  
Tel: +7 495 741 40 61  
office-russia@geze.com

**Scandinavia – Sweden**  
GEZE Scandinavia AB  
Mallslingan 10  
Box 7060  
18711 Täby, Sweden  
Tel. +46 87323 400  
Fax +46 87323 499  
sverige.se@geze.com

**Scandinavia – Norway**  
GEZE Scandinavia AB avd. Norge  
Industriveien 34 B  
2073 Dal  
Tel. +47 63957 200  
Fax +47 63957 173  
norge.se@geze.com

**Scandinavia – Denmark**  
GEZE Danmark  
Branch office of GEZE Scandinavia AB  
Mårkærvej 13 J-K  
2630 Taastrup  
Tel. +45 463233 24  
Fax +45 463233 26  
danmark.se@geze.com

**Singapore**  
GEZE (Asia Pacific) Pte. Ltd.  
21 Bukit Batok Crescent  
#23-75 Wcga Tower  
Singapore 658065  
Tel: +65 6846 1338  
Fax: +65 6846 9353  
gezesea@geze.com.sg

**South Africa**  
Geze South Africa (Pty) Ltd.  
GEZE, Building 3, 1019 Morkels Close  
Midrand 1685  
Tel: +87 94337 88  
Fax: +86 66137 52  
info@gezesa.co.za

**Switzerland**  
GEZE Schweiz AG  
Zelglimatte 1A  
6260 Reiden  
Tel. +41 62 28554 00  
Fax +41 62 28554 01  
schweiz.ch@geze.com

**Turkey**  
GEZE Kapı ve Pencere Sistemleri  
San. ve Tic. Ltd. Sti.  
İstanbul Anadolu Yakası Organize  
Sanayi Bölgesi  
Gazi Bulvarı Caddesi 8.Sokak No:8  
Tuzla-İstanbul  
Tel. +90 216 45543 15  
Fax +90 216 45582 15  
office-turkey@geze.com

**Ukraine**  
LLC GEZE Ukraine  
17 Viskozna street,  
Building 93-B, Office 12  
02660 Kyiv  
Tel./Fax +38 445012225  
office-ukraine@geze.com

**United Arab Emirates/GCC**  
GEZE Middle East  
P.O. Box 17903  
Jebel Ali Free Zone  
Dubai  
Tel. +971 48833 112  
Fax +971 48833 240  
gezeme@geze.com

**United Kingdom**  
GEZE UK Ltd.  
Blenheim Way  
Fradley Park  
Lichfield  
Staffordshire WS13 8SY  
Tel. +44 15434430 00  
Fax +44 15434430 01  
info.uk@geze.com

GEZE REPRESENTATIVE