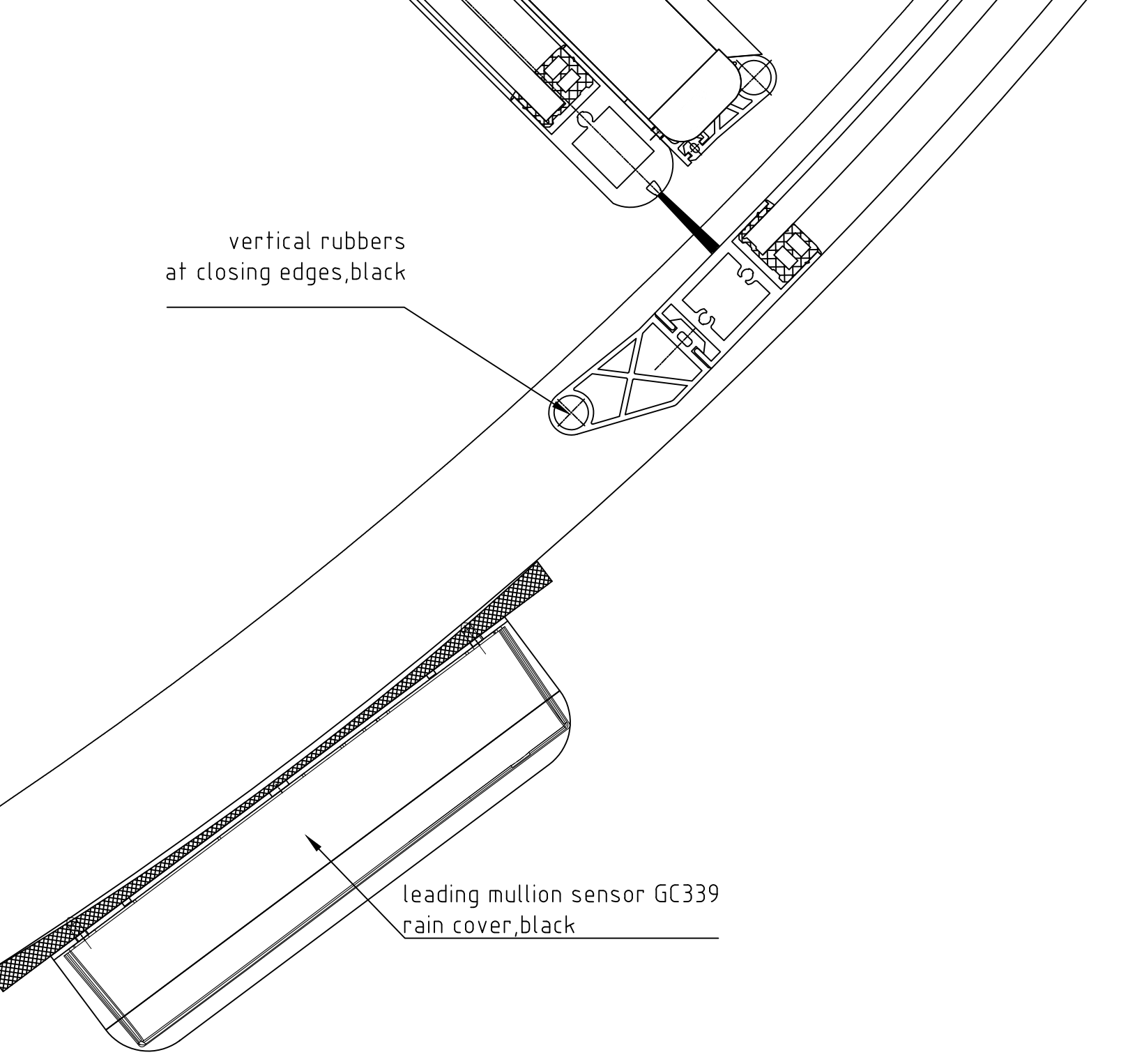
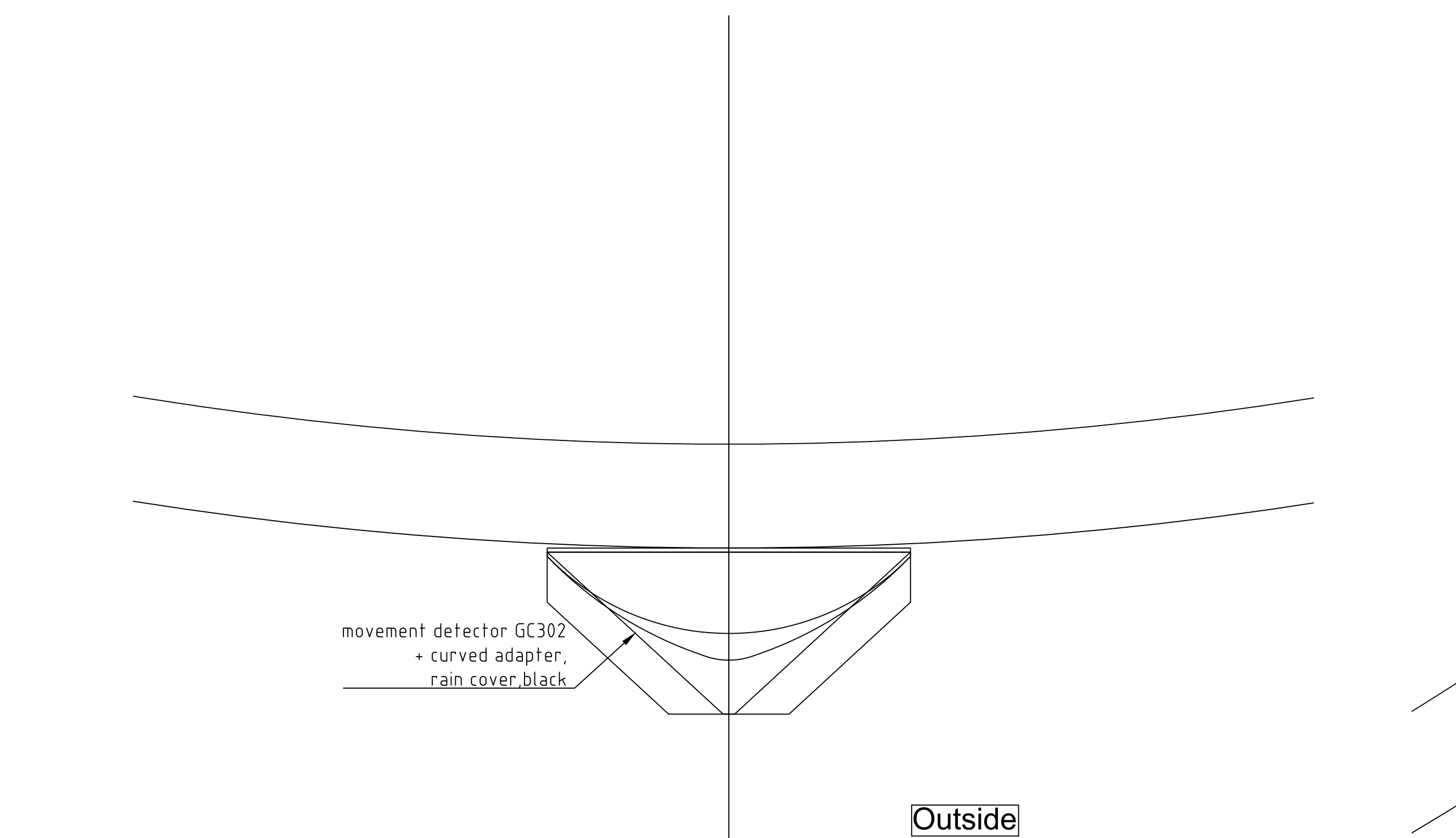
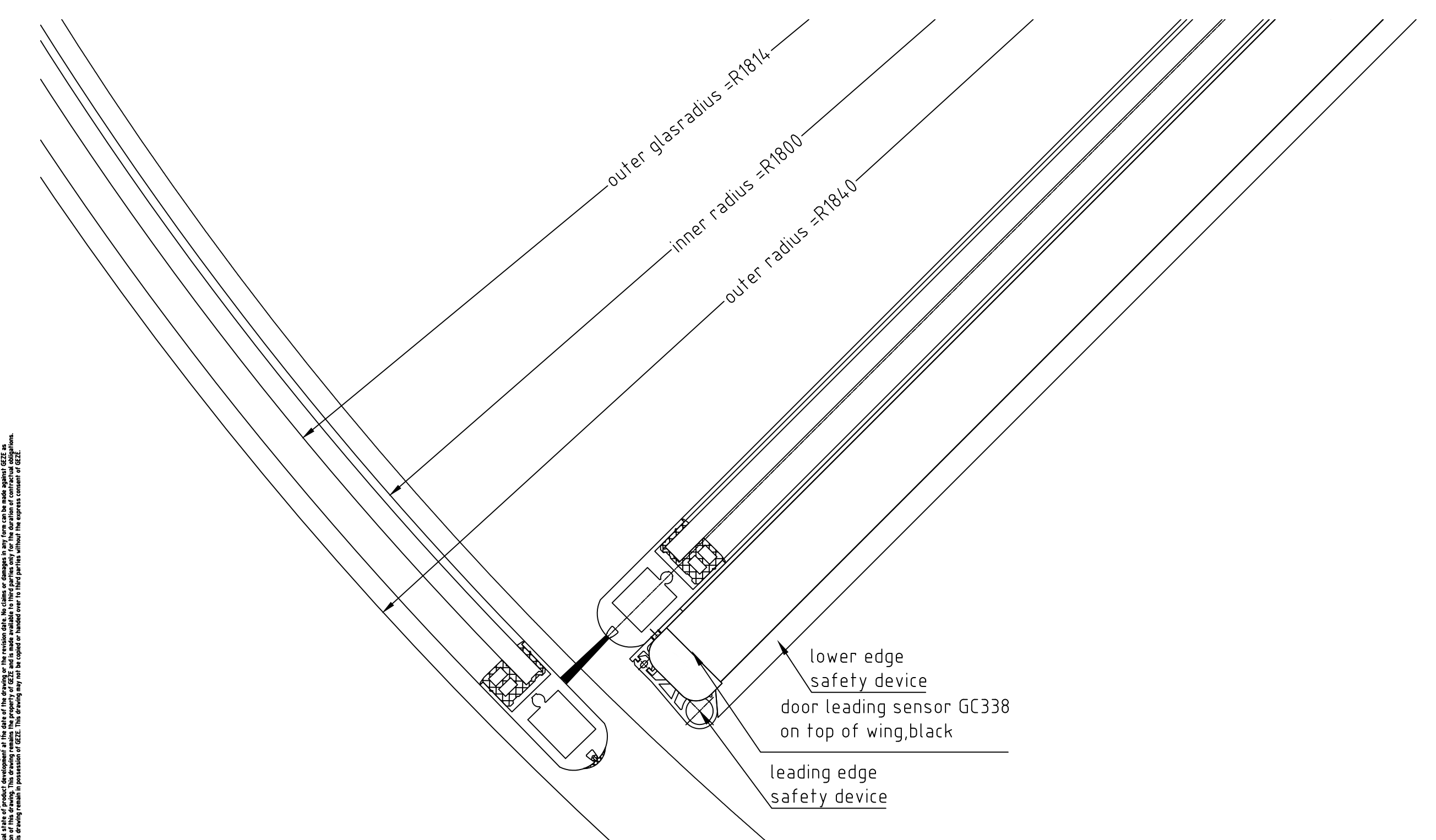
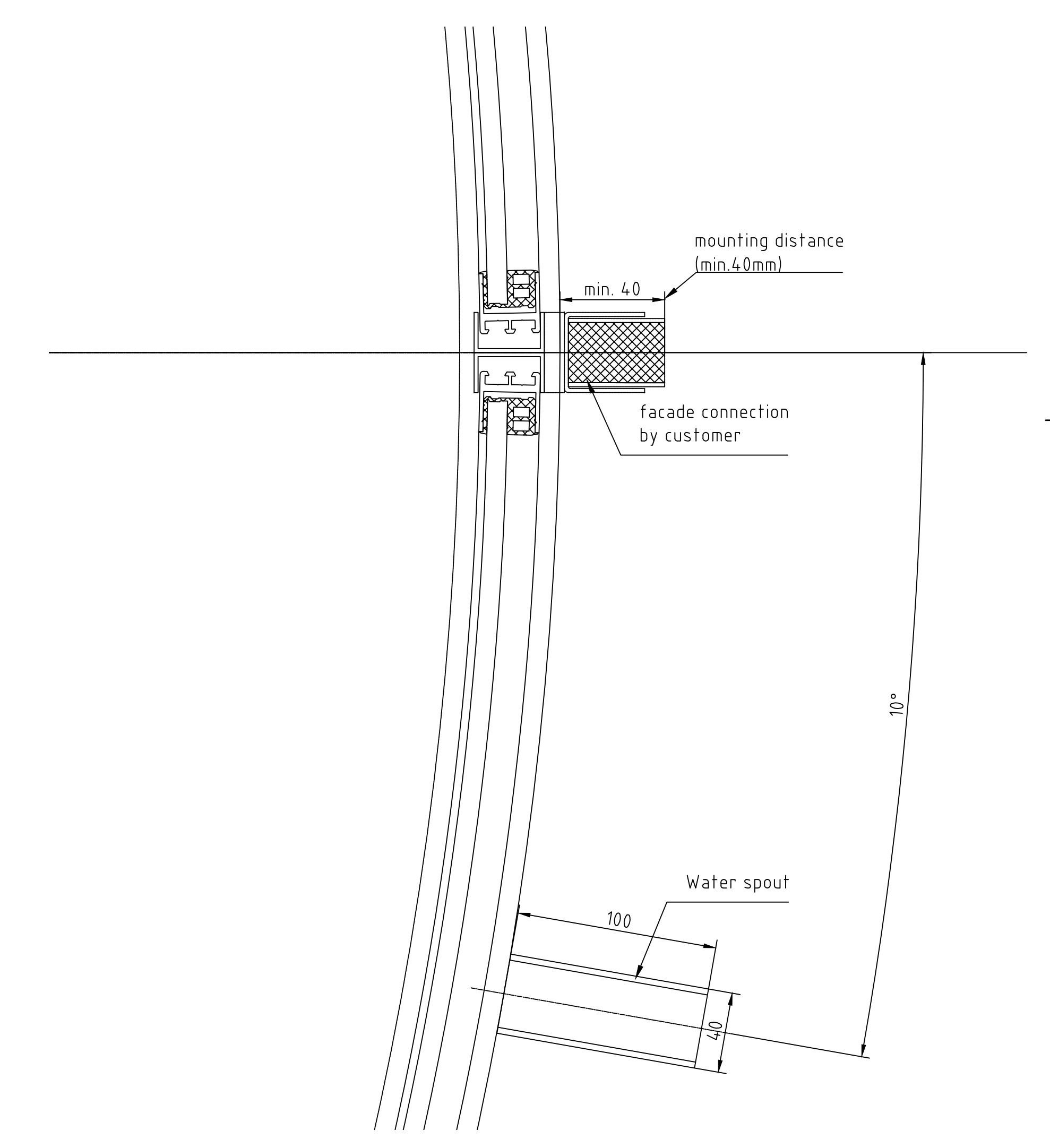
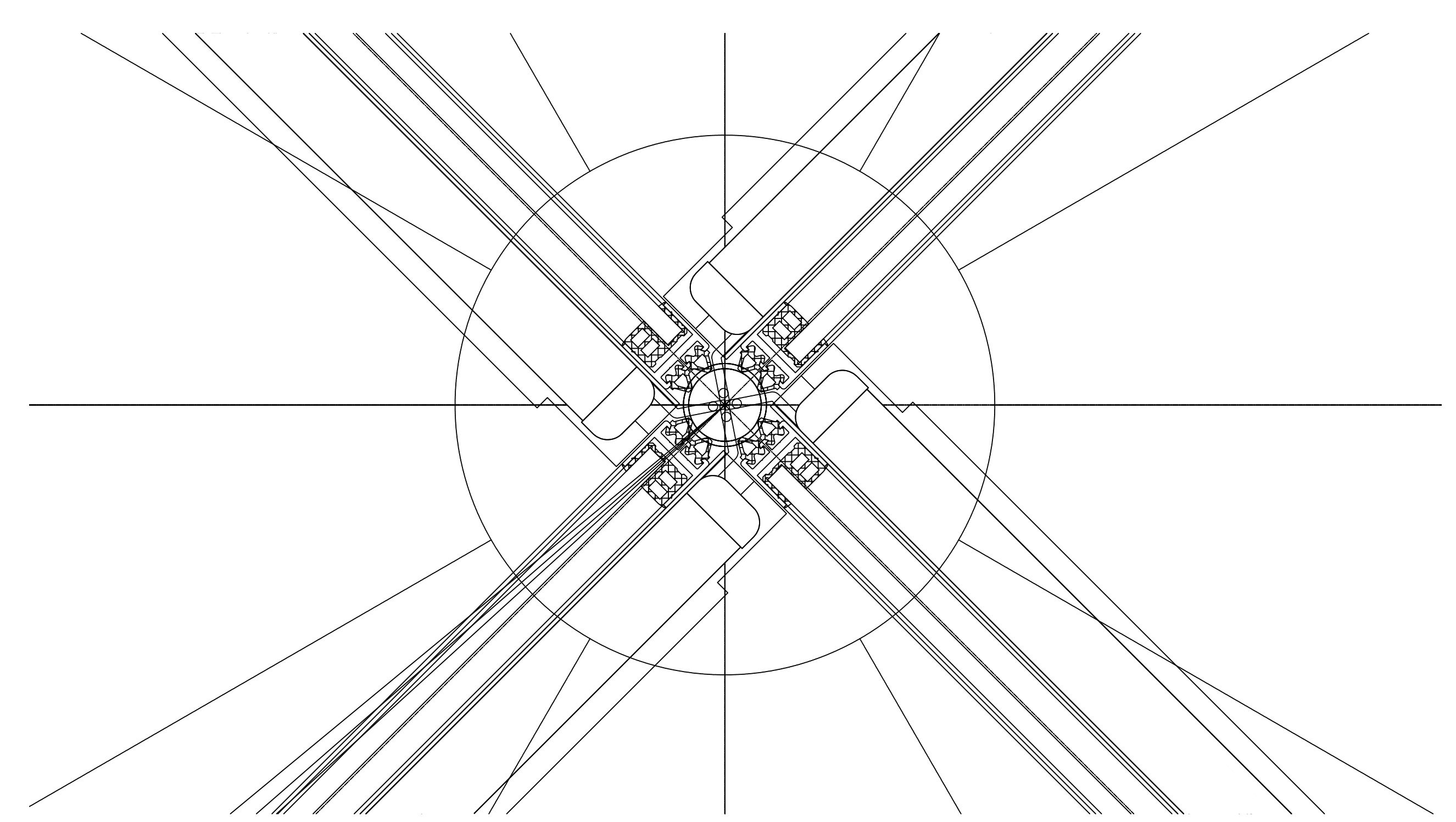
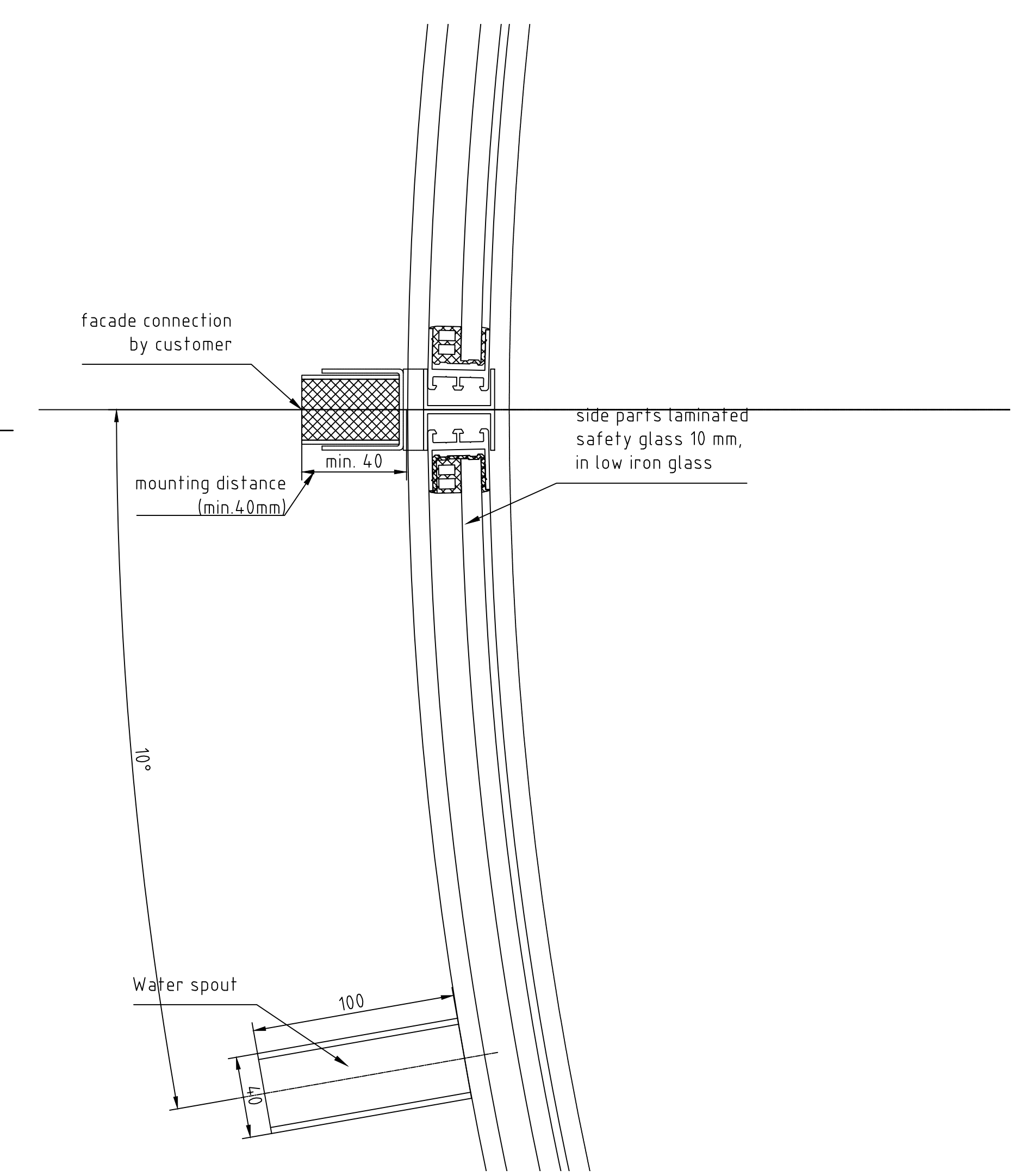
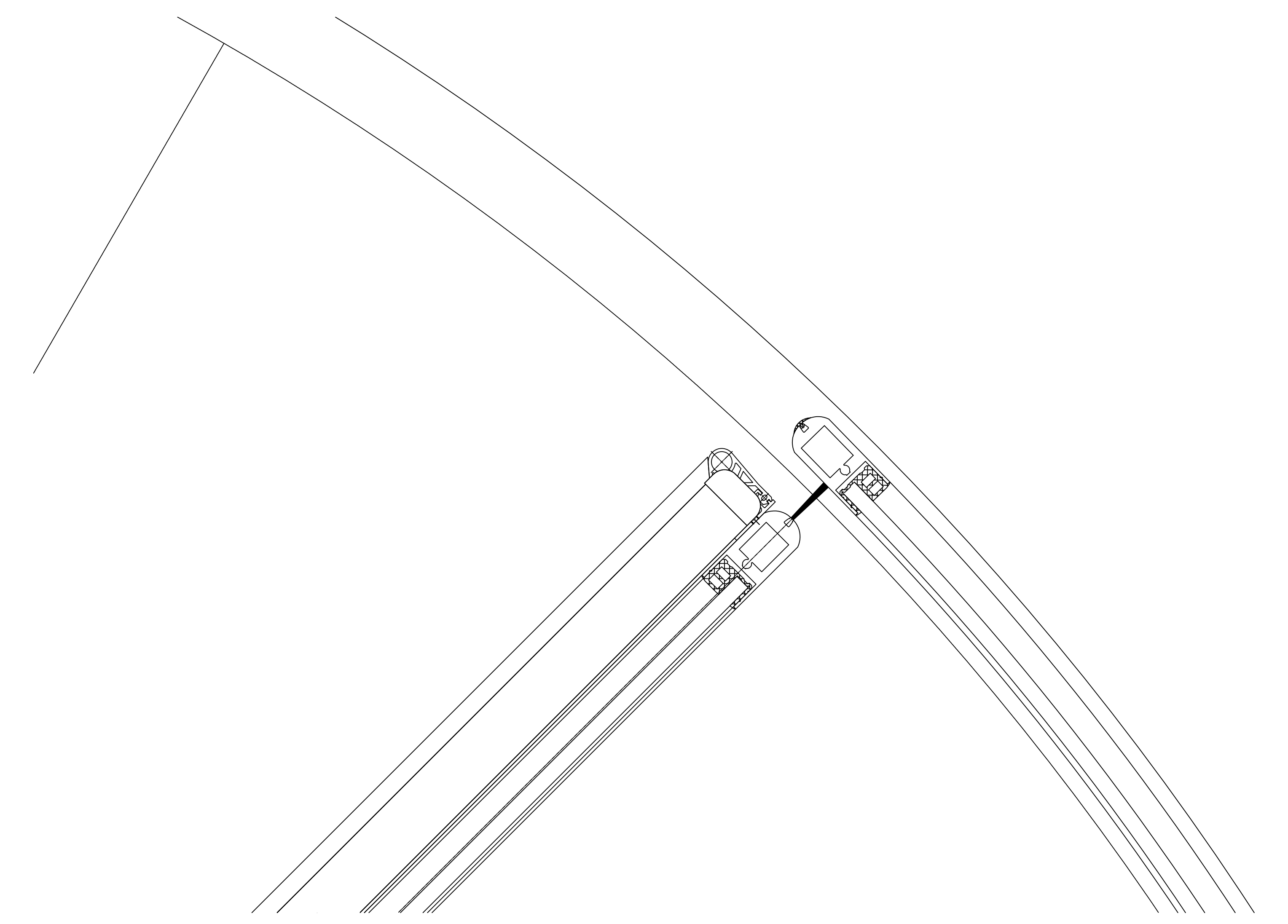
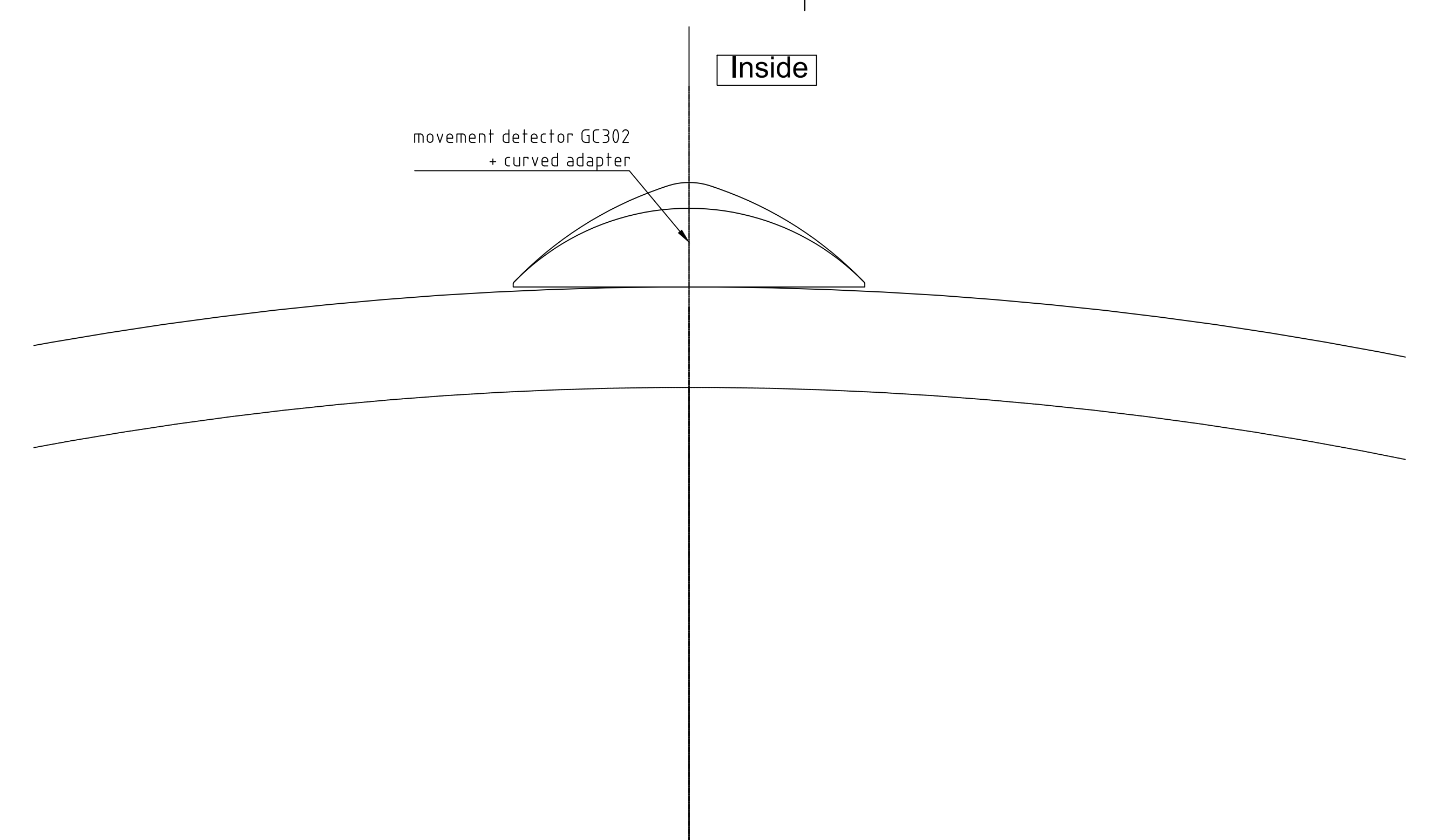
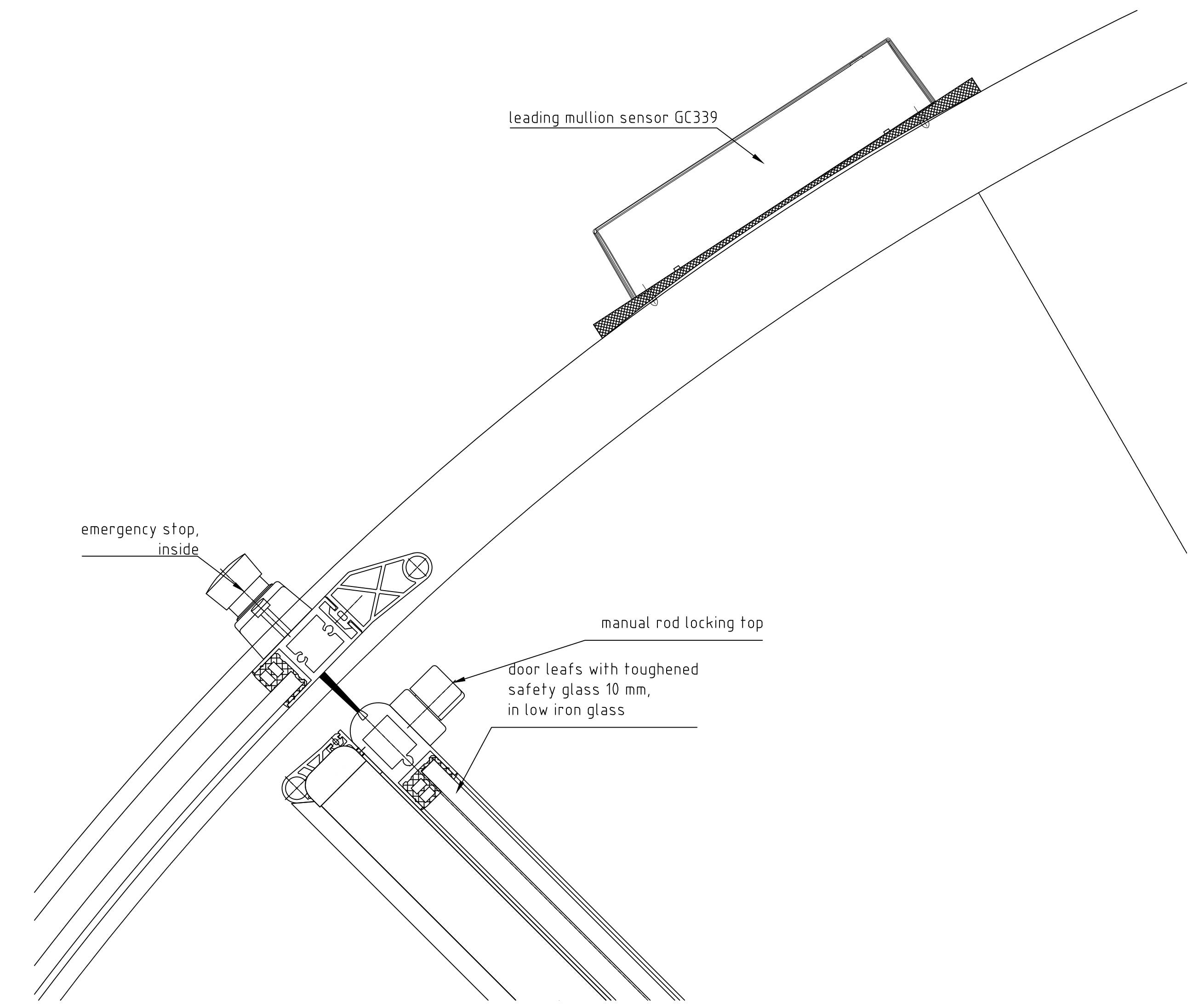


GEZE GmbH		Referenzzeichnung	
23.03.2018		1 / 3	
vertraulich/confidential		1:10; 1:2	
Date: 23.03.2018		Zeichnungs-Nr. / document-no.	
Drawn by: XMAS		-0-001	
Checked by: XMAS			
Created by: XMAS			
Created date: 23.03.2018			



GEZE GmbH		Drawing / description	
23.03.2018		2 / 3	
vertraulich/confidential		Referenzzeichnung	
Date: 23.03.2018		Blatt / of: 2 / 3	
Version: 1.0		Scale: 1:2	
Created by: [Name]		Drawing no. / document no.	
Created date: [Date]		-0-002	

