



GEZE

DOOR, WINDOW AND SAFETY TECHNOLOGY

Activation devices and sensors



Contents

| | |
|--|---|
| Overview table | 4 |
| Overview: activation devices and sensors | 6 |

ACTIVATION

| | |
|-------------------------------------|----|
| GC 302 radar movement detector | 10 |
| GC 304 radar movement detector | 13 |
| GC 306 proximity switch | 16 |
| Air 20-Var active infrared detector | 18 |
| Wireless programme | 20 |
| Activation button | 24 |
| LED sensor switch | 26 |

PROTECTION

| | |
|--|----|
| GC 342 laser scanner | 30 |
| GC 339 sensor strip | 33 |
| GC 335 sensor strip | 36 |
| GC 341 active infrared detector | 39 |
| GC 339 active infrared detector | 43 |
| GC 333 active infrared detector | 47 |
| GZ 470 V / GZ 472 V safety photoelectric barrier | 50 |

COMBINED DETECTORS

| | |
|--------------------------|----|
| GC 365 combined detector | 56 |
| GC 363 combined detector | 60 |

PROGRAMME SWITCHES AND KEY SWITCHES

| | |
|-----------------------------|----|
| Programme switches | 66 |
| Key switches | 68 |
| Safety switches and buttons | 70 |

SMOKE SWITCHES AND CONTROL UNITS

| | |
|---------------------------------|----|
| RSZ 7 smoke switch control unit | 74 |
|---------------------------------|----|

ACCESSORIES

REFERENCES

| | |
|--|----|
| | 78 |
| | 82 |

Overview table

APPLICATION OF ACTIVATION DEVICES ON AUTOMATIC DOOR SYSTEMS

| | Swing doors | Sliding doors | Curved sliding doors | Revolving doors |
|--|-------------|---------------|----------------------|-----------------|
| ACTIVATION | | | | |
| Radar movement detector | ● | ● | ● | ● |
| AIR movement detector | ● | | | |
| Wireless programme | ● | ● | ● | |
| Mechanical push buttons | ● | ● | ● | |
| Sensor switches | ● | ● | ● | |
| Rotary switch contact | ● | | | |
| PRESENCE DETECTOR | | | | |
| Photoelectric barriers | | ● | | |
| Sensor strips | ● | | | ● |
| Active infrared detectors | | ● | ● | ● |
| Laser scanner | ● | | | |
| COMBINED DETECTORS | | | | |
| Radar including active infrared detector | | ● | ● | |
| PROGRAMME SWITCH | | | | |
| Programme switch | ● | ● | ● | ● |
| Key switch | ● | ● | ● | ● |
| Main / safety switch | ● | ● | ● | ● |
| SMOKE SWITCHES AND CONTROL UNITS | | | | |
| Smoke switches and control units | ● | | | |

● = Yes

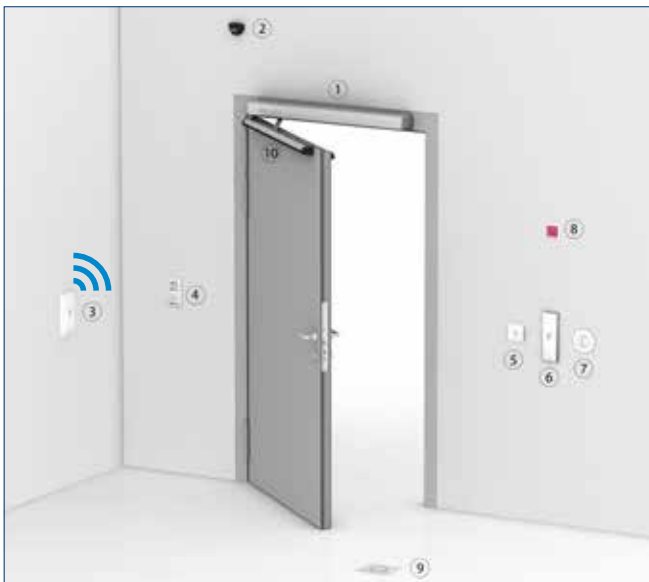


Activation devices and sensors

ACTIVATION OF AUTOMATIC DRIVES

For the reliable operation of an automatic door, the choice of the appropriate activation device is of considerable importance. The product range of the GEZE activation devices offers the optimum activation device for every door situation. The GEZE activation devices control and protect all GEZE automatic solutions according to international standards. Supplied from a single source, they enable complete solutions for individual needs.

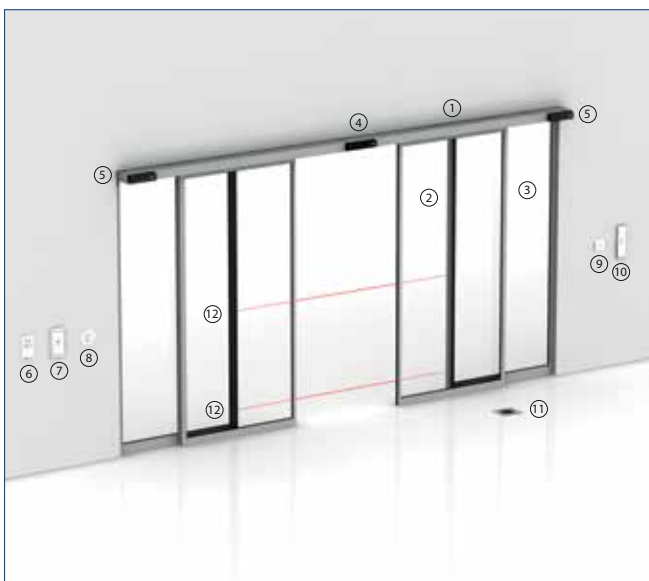
AUTOMATIC SWING DOOR SYSTEMS



Automatic swing door systems from GEZE ease the opening of a door whenever manual opening is too hard or inconvenient. They are recommended in public as well as in private buildings wherever ease of access, accessibility, safety and hygiene are necessary or where energy has to be saved: in shopping centres, schools, office or industrial buildings, airports, hospitals, vestibules or private homes.

- 1 = swing door drive | 2 = radar movement detector | 3 = plastic elbow switch
- 4 = programme switch with key switch | 5 = proximity switch
- 6 = elbow switch | 7 = LED sensor switch glass | 8 = manual trigger switch
- 9 = LED sensor foot switch | 10 = sensor strip

AUTOMATIC SLIDING DOOR SYSTEMS



Sliding doors are space-saving, elegant and modern. They are ideal as glass solutions when natural daylight is to be used and visual criteria must be met. With automatic sliding door systems from GEZE, various user scenarios can be realised within one building. In the entrance area, in vestibules or for automating interior doors, the automatic sliding doors from GEZE combine design and universal ease of access. They also meet the demands made on escape and rescue routes.

- 1 = sliding door drive | 2 = moving leaf | 3 = fixed panel | 4 = combined detector
- 5 = active infrared detector | 6 = programme switch with key switch
- 7 = plastic elbow switch | 8 = LED sensor switch glass | 9 = proximity switch
- 10 = elbow switch | 11 = LED sensor foot switch | 12 = photoelectric barriers

→ **DIN 18650**

The industrial norm DIN 18650 was created to guarantee operators and users of automatic doors optimum safety. GEZE automatic doors as well as activation devices and sensors are type-tested to DIN 18650 and certified.

→ **EN 16005**

The European standard EN 16005 sets out the design specifications and testing methods used to ensure the safe use of automatic doors. The new norm has created a Europe-wide safety standard for automatic doors. All automatic door systems and safety sensors from GEZE meet the EN 16005 standard and are available.

AUTOMATIC REVOLVING DOOR SYSTEMS



The TSA 325 NT drive variant with its customer-specific diameter, as well as height and canopy height, is the focal point of modern façade design – especially in large and representative buildings. Different materials for door leaves and drum walls offer a variety of design options. The revolving door is designed to take heavy loads and is thus the ideal solution for places that have a high frequency of visitors. Thanks to its high insulating effect against weather conditions, it also saves energy and ensures a good, consistent indoor climate.

1= revolving door drive (can alternatively be installed in the floor) | 2 = radar movement detector | 3 = active infrared detector | 4 = emergency stop push button | 5 = programme switch with key switch (bollard on-site)

AUTOMATIC CURVED SLIDING DOOR SYSTEMS



Automatic curved sliding door systems are a function and design element at the same time. Even with small outer dimensions, they create enormous space for the passage. The door systems can be given a convex or concave form and can be connected to the building in several different ways.

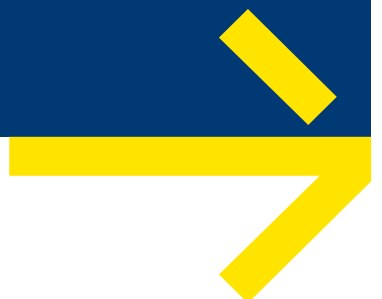
1 = sliding door drive | 2 = combined detector | 3 = active infrared detector | 4 = programme switch with key switch (bollard on site)



DOOR, WINDOW AND SAFETY TECHNOLOGY

Activation

The right type of activation makes all the difference. Because it provides your automatic door with maximum accessibility. Radar movement detectors, wireless activation via radio and different varieties of switches and push buttons – discover the benefits of each element. With our help, you can find just the right activation device which is in line with international standards and guidelines – for safe and energy-efficient opening and closing of your automatic door.



GC 302



Radar movement detector for activating automatic doors

AREAS OF APPLICATION

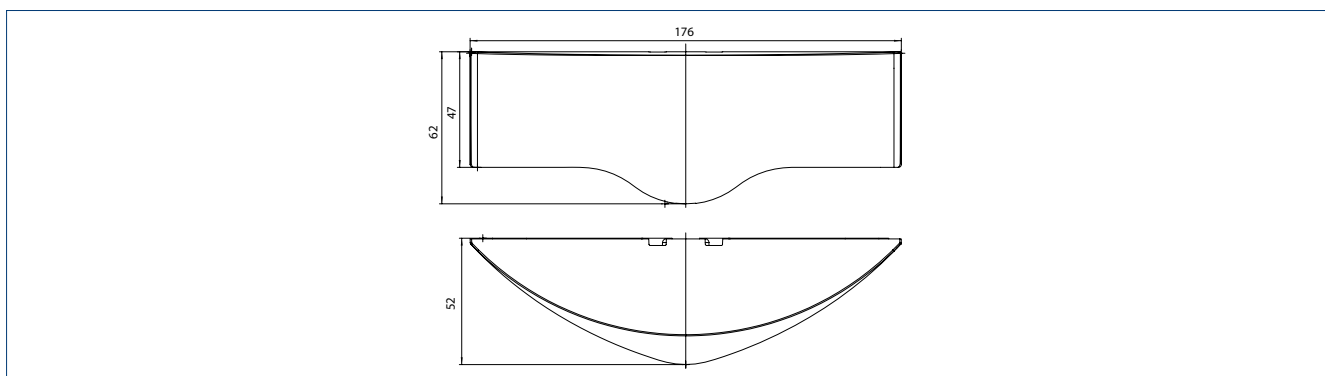
- Activation of automatic swing, sliding, folding, revolving and curved sliding doors
- Interior and exterior doors

PRODUCT FEATURES

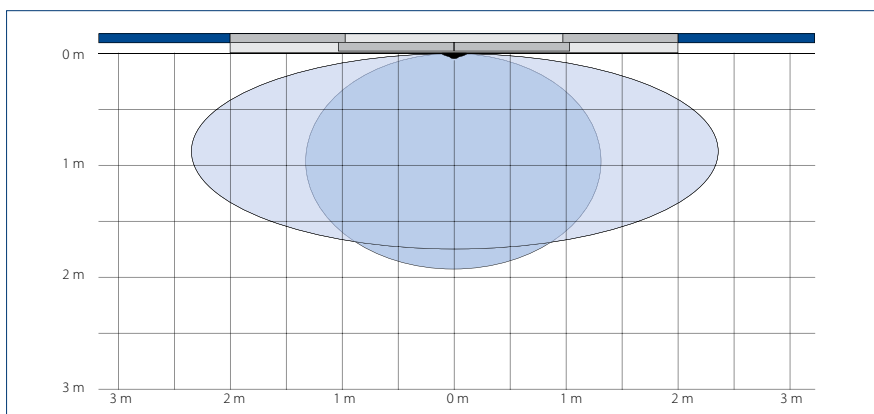
- Convenient commissioning with pre-programmed settings
- Configuration possible via push buttons or remote control
- Clearly defined radar field (narrow or wide field) with reliable detection
- Integrated motion tracking also records slow movements
- Movement direction detection and cross-traffic fade-out reduce energy consumption in the building
- Door opening impulse only triggered if needed

TECHNICAL DATA

| GC 302 | |
|----------------------------|---|
| Technology | Electro-magnetic radar waves |
| Transmission frequency | 24.125 GHz |
| Operating voltage | 12 – 36 V DC / 12 – 28 V AC |
| Operating current | approx. 50 mA at 24 V DC |
| Output | GC 302 R: Potential-free relay output, 48 V AC/DC, 0.5 A AC/1 A DC, 60 VA/30 W Output current present: no detection/no fault, output current < 3 V DC or no current: detection or fault |
| Connection type | Plug-in screw terminal |
| Height | 62 mm |
| Width | 176 mm |
| Depth | 52 mm |
| Installation height (max.) | 4000 mm |
| Connecting cable | 5000 mm |
| Weight | 150 g |
| IP rating | IP54 |
| Service temperature | -20 – 60 °C |
| Humidity | 0–90 % relative, non-condensing |
| Approvals | DIN 18650 / EN 16005 |



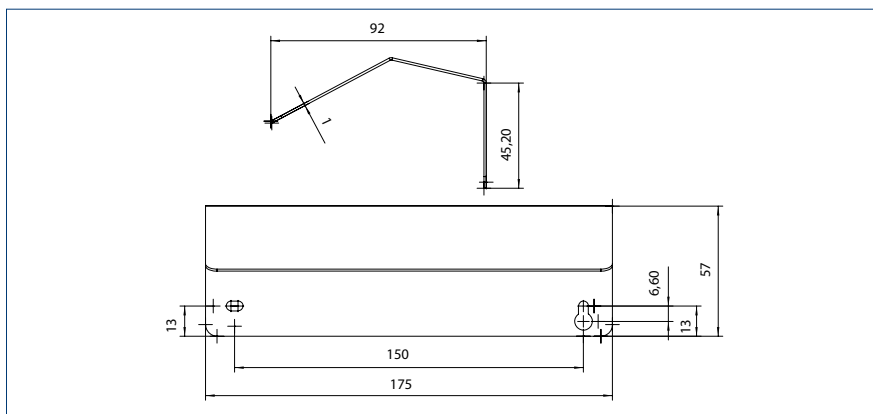
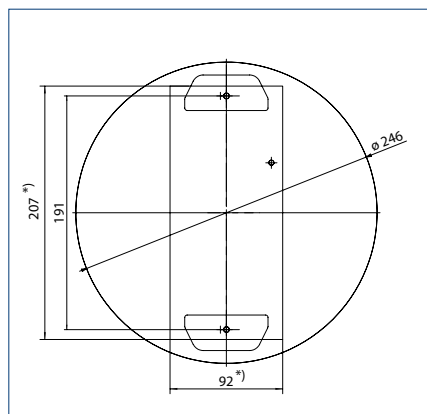
DETECTION AREA AND APPLICATION EXAMPLE



Narrow field (1): min. 0.7 x 0.6 m (W x D), max. 2.7 x 1.9 m (W x D) | **Wide field (2):** min. 1.1 x 0.6 m (W x D), max. 4.7 x 1.7 m (W x D)
Values given measured at installation height of 2.2 m and incline of 35°

DIMENSIONAL DRAWINGS FOR ACCESSORIES

CEILING INSTALLATION KIT FOR GC 302 WEATHER HOOD FOR GC 302



* = Ceiling cut-out

ORDER INFORMATION

| Designation | Version | ID no. |
|--|------------------|--------|
| GC 302 R radar movement detector | black | 124087 |
| Radar movement detector for activating automatic doors | according to RAL | 124088 |

ACCESSORIES

| | | |
|---|-------|--------|
| Weather hood GC 302 Protection against precipitation in outdoor use | EV1 | 115339 |
| Ceiling installation kit GC 302 Installation kit for integrating the detector in the ceiling | white | 115384 |
| Remote control GC 302 Adjustment and parameter setting of GC 302 | red | 099575 |



Deutsche Telekom, Bonn, Germany (photo: Lothar Wels / GEZE GmbH)

GC 304



Radar movement detector with individual adjustment options for activating automatic doors

AREAS OF APPLICATION

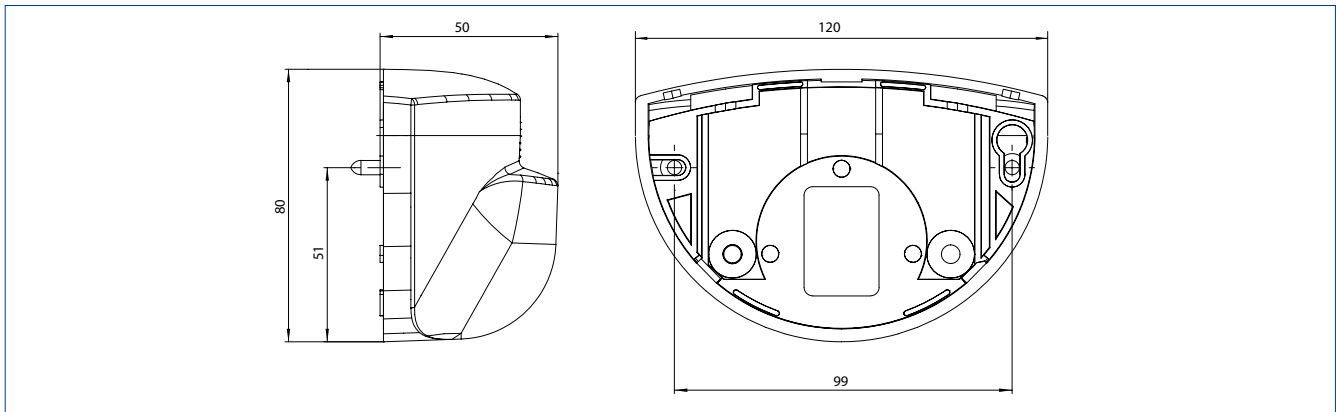
- Activation of automatic swing, sliding, folding, revolving and curved sliding doors
- Interior and exterior doors

PRODUCT FEATURES

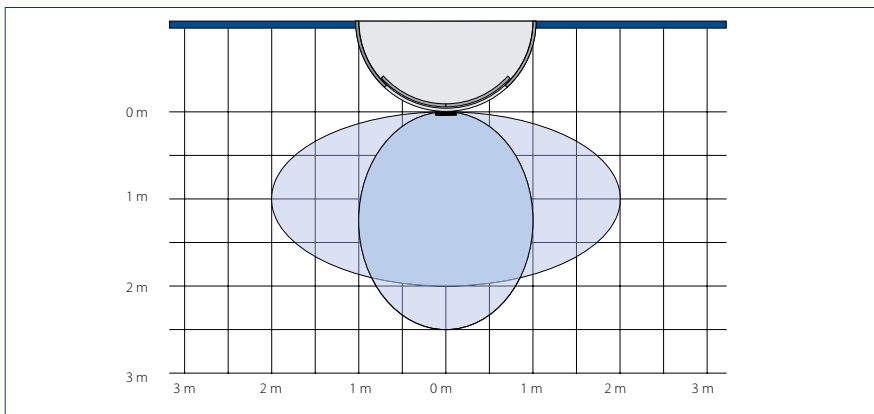
- Individual settings for challenging environmental conditions
- Configuration possible via push buttons or remote control
- Clearly defined radar field (narrow or wide field) with reliable detection
- Integrated motion tracking also records slow movements
- Movement direction detection and cross-traffic fade-out reduce energy consumption in the building
- Door opening impulse only triggered if needed

TECHNICAL DATA

| GC 304 | |
|----------------------------|---|
| Technology | Electro-magnetic radar waves |
| Transmission frequency | 24.175 GHz |
| Transmission frequency | GC 304 R: 24.175 GHz, GC 304 SF: 24.150 GHz |
| Operating voltage | 12 – 24 V DC/AC |
| Operating current | approx. 85 mA at 24 V DC |
| Output | GC 304 R: potential-free relay output, 42 V AC/60 V DC, 1 A, 60 VA/30 W GC 304 SF: frequency output, transistor ON: 100 mA, transistor OFF: < 200 mA |
| Connection type | System plug-type connector |
| Height | 80 mm |
| Width | 120 mm |
| Depth | 50 mm |
| Installation height (max.) | 4000 mm |
| Connecting cable | 5000 mm |
| Weight | 215 g |
| IP rating | IP54 |
| Service temperature | -20 – 55 °C |
| Humidity | < 90 % relative, non-condensing |
| Approvals | DIN 18650 / EN 16005 |



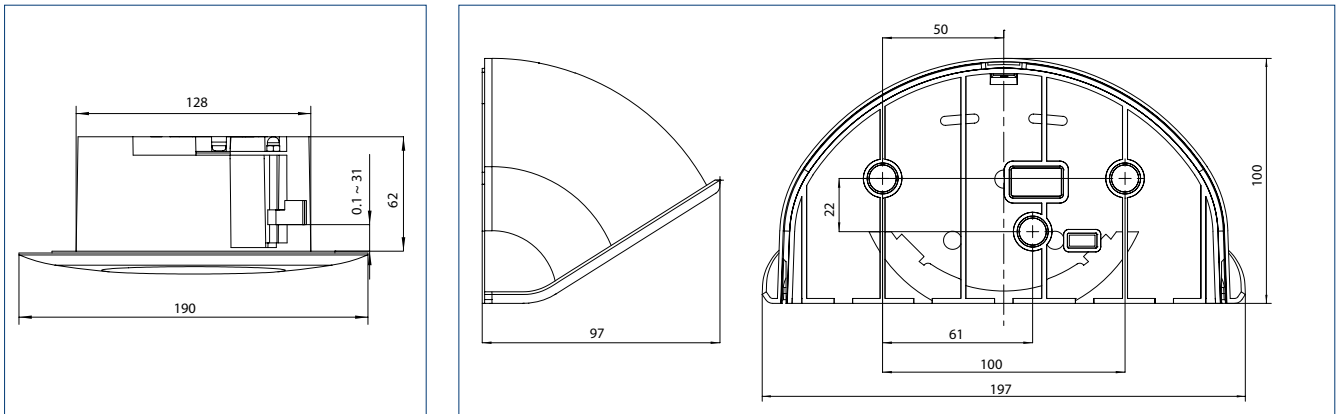
DETECTION AREA AND APPLICATION EXAMPLE



Narrow field (1): min. 0.5 x 0.75 m (W x D), max. 2.0 x 2.5 m (W x D) | **Wide field (2):** min. 1.0 x 0.5 m (W x D), max. 4.0 x 2.0 m (W x D)
Values given measured at installation height 2.2 m

DIMENSIONAL DRAWINGS FOR ACCESSORIES

CEILING INSTALLATION KIT FOR GC 304 WEATHER HOOD FOR GC 304



* = Ceiling cut-out

ORDER INFORMATION

| Designation | Version | ID no. |
|---|-------------|--------|
| GC 304 R radar movement detector Radar movement detector with individual adjustment options for activating automatic doors | black | 130651 |
| GC 304 SF radar movement detector Activation of automatic doors in direction of escape | black | 130652 |
| ACCESSORIES | | |
| Weather hood GC 304 Protection against precipitation in outdoor use | transparent | 130654 |
| Ceiling installation kit GC 304 Installation kit for integrating the detector in the ceiling | black | 130653 |
| Remote control GC 363, GC 339, GC 304 Adjustment and parameter setting of GC 363, GC 339 and GC 304. Compatible with GC 362, GC 333, GC 333 C and ACTIV S GE | black | 100061 |

GC 306



Contactless activation of automatic doors

AREAS OF APPLICATION

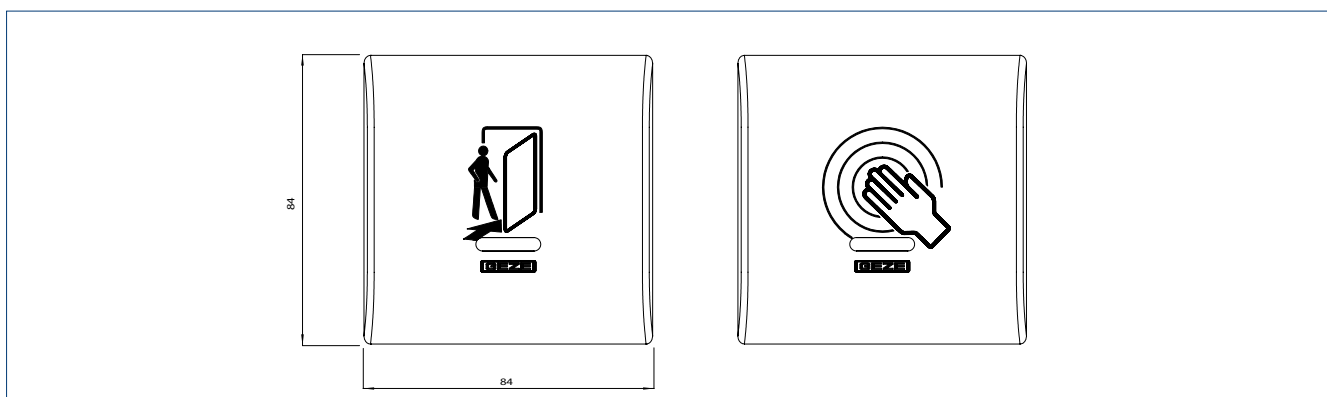
- Activation of automatic swing, revolving and curved sliding doors
- Interior and exterior doors
- Rooms with high hygiene demands

PRODUCT FEATURES

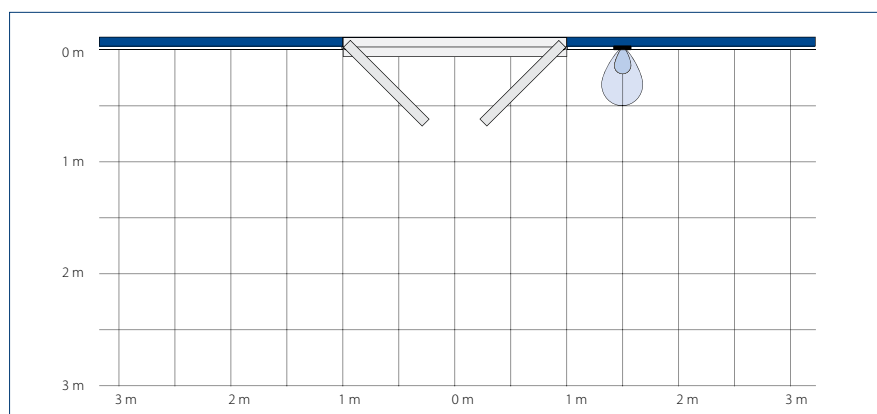
- Doors can be opened without a need for tactile perception
- Approaching the door is sufficient to activate the automatic opening feature
- Detects persons and objects in a detection area of 10 – 50 cm
- Scanning ranges adjustable to make environmentally and user-specific adjustments
- Hand-height mounting ensures convenient, bacteria-free access
- Can also be installed behind tiles or glass
- Simple installation in the flush-mounted box

TECHNICAL DATA

| GC 306 | |
|---------------------|--|
| Technology | Electro-magnetic radar waves |
| Operating voltage | 24 V DC/AC |
| Output | Potential-free relay output, 48 V AC/DC, 1 A AC/DC, 60 VA / 30 W |
| Connection type | Screw terminal |
| Height | 84 mm |
| Width | 84 mm |
| Depth | 32 mm |
| Installation height | at hand level |
| IP rating | IP30 |
| Service temperature | -20 – 55 °C |
| Humidity | < 90 % |
| Approvals | RED 2014/53/EU, Low Voltage Directive: 2014/35/EU, RoHS 2011/65/EU |



DETECTION AREA AND APPLICATION EXAMPLE



Detection range: 10–50 cm

ORDER INFORMATION

| Designation | Version | ID no. |
|---|--------------|--------|
| GC 306 (with GEZE pictogram) Proximity switch for activating automatic doors | alpine white | 163028 |
| GC 306 (with hand pictogram) Proximity switch for activating automatic doors | alpine white | 163029 |
| Surface mounted box GC 306 | alpine white | 164059 |

AIR 20-Var



Light switch for monitoring the door handle
of automatic swing doors

AREAS OF APPLICATION

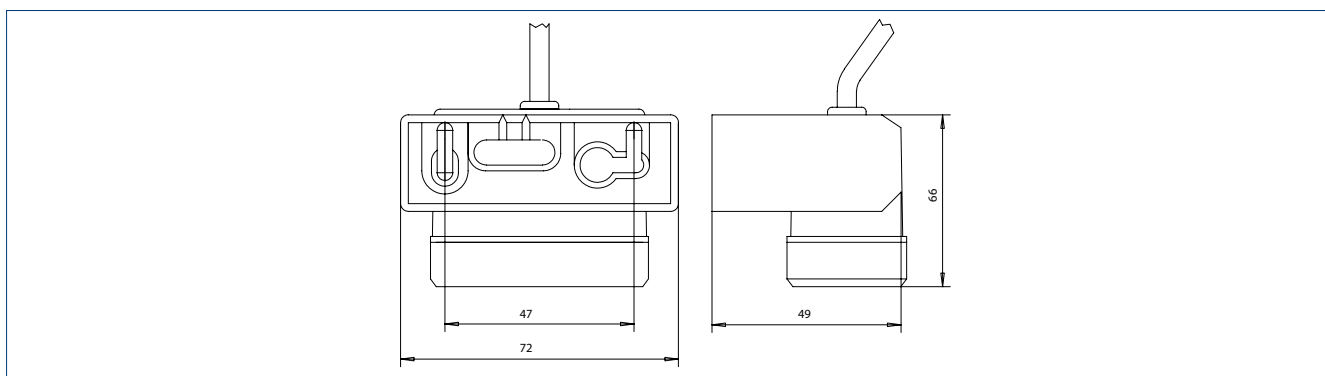
- Door handle monitoring for activation of automatic swing doors
- Presence detector for persons or objects in small areas
- Occupied checks in personal and security interlocking door systems

PRODUCT FEATURES

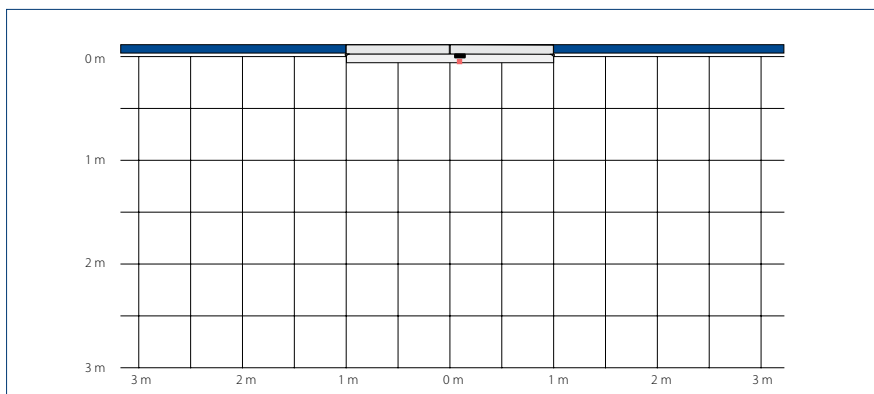
- Active infrared light sensor
- Scanning range variably adjustable from 1.2 – 2.2 m

TECHNICAL DATA

| AIR 20-Var | |
|----------------------------|--|
| Technology | Active infrared beams |
| Operating voltage | 12 – 30 V DC / 18 – 28 V AC |
| Operating current | approx. 50 mA |
| Output | Potential-free relay output, 48 V AC/DC, 0,5 A AC / 1 A DC, 55 VA / 24 W, switching type: light switching (output contact closed on detection) |
| Connection type | Plug-in screw terminal |
| Height | 66 mm |
| Width | 72 mm |
| Depth | 49 mm |
| Scanning range adjustment | 1.2 – 2.2 m |
| Installation height (min.) | 1200 mm |
| Installation height (max.) | 2200 mm |
| Connecting cable | 5000 mm |
| Light beam cross-section | 60 x 60 mm |
| IP rating | IP52 |
| Service temperature | -20 – 60 °C |
| Humidity | < 90 % relative, non-condensing |
| Approvals | CE according to EMC Directive 89/336 EEC |



DETECTION AREA AND APPLICATION EXAMPLE



0.06 x 0.06 m (W x D) | Values given measured at a scanning range of 1.3 m

ORDER INFORMATION

| Designation | Version | ID no. |
|--|---------|--------|
| AIR 20-Var Light switch for monitoring the door handle of automatic swing doors | black | 082689 |

Wireless programme



WTH-1 remote control



WTH-2 remote control



WTH-4 remote control

Wireless activation with system – reliable, convenient and safe at the touch of a button

AREAS OF APPLICATION FOR TRANSMITTERS

- Transmission frequency 433.93 MHz
- Safe encryption of radio signals using rolling code (approx. 74 trillion code combinations)
- Radio range up to 30 m inside the building
- LED function display for battery and transmission check
- Universal use for doors, windows and smoke and heat extraction systems which can be wirelessly activated individually, together or in groups within one system design

AREAS OF APPLICATION FOR RECEIVERS

- Simple teach-in of the transmitters via learn button with acoustic feedback
- Up to 85 transmitters on the WRM receiver modules can be taught-in; up to 12 transmitters can be taught-in on the WRB-5 radio reception board
- DIP switches for selecting receiver mode of operation (pulse mode, pulse and permanent mode, dead man's mode, self-adjusting mode)
- Tiniest housing dimensions for integrated installation within the drive or a flush-mounted box
- IP54 surface-mounted version for protected outdoor use
- 2 outputs for individual connection possibilities



WTM transmitting module



WRM-24 receiving module



WRM-24B receiving module in IP-54 housing



WRM-230 receiving module



WRM-230B receiving module in IP-54 housing



WRB-5 radio reception board

TECHNICAL DATA

| | WTH-1 remote control | WTH-2 remote control | WTH-4 remote control |
|---------------------------|---------------------------------|---------------------------------|---------------------------------|
| Specifications | incl. wall bracket | incl. wall bracket | incl. wall bracket |
| Version | 1 channel | 2 channels | 4 channels |
| IP rating | IP54 | IP54 | IP54 |
| Dimensions | 78 x 51 x 15 mm | 78 x 51 x 15 mm | 78 x 51 x 15 mm |
| Battery | 12 V, 45 mAh A235 | 12 V, 45 mAh A235 | 12 V, 45 mAh A235 |
| Battery life cycle | 10,000 operations | 10,000 operations | 10,000 operations |

| | WTM transmitting module | WRM-24 receiving module | WRM-24B receiving module in IP-54 housing |
|----------------------------|--|--|--|
| Specifications | incl. 3 connection cables incl. protective casing (can be clipped in KFT elbow switch) | 2 outputs, relay contact 100 mA, 48 V | 2 outputs, relay contact 100 mA, 48 V |
| Version | | Flush-mounted (UP) | Surface-mounted (AP) |
| IP rating | IP20 | IP20 | IP54 |
| Dimensions | 44 x 30 x 11 mm | 52 x 47 x 23 mm | 130 x 80 x 35 mm |
| Battery | 3 V, 150 mAh CR2032 | | |
| Battery life cycle | 50,000 operations | | |
| Current consumption | | 24 V, 12.5 mA in standby | 24 V, 12.5 mA in standby |

| | WRM-230 receiving module | WRM-230B receiving module in IP-54 housing | WRB-5 radio reception board |
|----------------------------|--|---|---|
| Specifications | 2 outputs, 5 A, 230 V relay contact | 2 outputs, 5 A, 230 V relay contact | 2 outputs, for clipping onto the DCU control unit |
| Version | Flush-mounted (UP) | Surface-mounted (AP) | Circuit board (for clipping into the control unit) |
| IP rating | IP20 | IP54 | |
| Dimensions | 52 x 47 x 23 mm | 130 x 80 x 35 mm | 44 x 27 x 10 mm |
| Current consumption | 230 V, 3.9 mA in standby mode | 230 V, 5.6 mA in standby mode | 5 V, 6 mA in standby mode |

APPLICATION MATRIX FOR WIRELESS PROGRAMME

| | ECdrive T2 Slimdrive Powerdrive | TSA Slimdrive EMD | Ecturn | E 260 control panel | Window drive |
|---------------------------------------|--|------------------------------|---------------|--------------------------------|----------------------|
| Pulse signal | WRM-24, WRM-24B | WRM-24, WRM-24B | WRB-5 | | |
| Pulse and permanent signal | WRM-24, WRM-24B | WRM-24, WRM-24B | WRB-5 | | |
| Operation with latching | | | | WRM-24, WRM-24B | WRM-230, WRM-230B |
| Operation without latching | | | | WRM-24, WRM-24B | WRM-230, WRM-230B |

ORDER INFORMATION

| Designation | Version | ID no. |
|---------------------------------------|-------------------------------------|--------|
| Remote control | WTH-1 | 131209 |
| | WTH-2 | 131210 |
| | WTH-4 | 131211 |
| Spare battery for remote control | | 131217 |
| Transmitting module | WTM | 131212 |
| Spare battery for transmitting module | | 131218 |
| KFT elbow switch | white, surface-mounted installation | 114078 |
| | niro, surface-mounted installation | 114077 |
| Backplate for KFT elbow switch | white | 131219 |
| | stainless steel | 131220 |
| LS990 elbow switch | Surface-mounted installation | 128582 |
| | Flush-mounted installation | 128583 |
| LTA24-AZ vent switch | Flush-mounted installation | 129393 |
| Receiving module | WRM-24 | 131213 |
| | WRM-230 | 131215 |
| Receiving module in the IP54 housing | WRM-24B | 131214 |
| | WRM-230B | 131216 |
| Radio reception board | WRB-5 | 135170 |



Installation situation (photo: Studio BE / GEZE GmbH)

Activation button



Plastic elbow switch



LS990 stainless steel elbow switch



Elbow switch stainless steel IP65



Plastic rocker push button AS 500



LS990 stainless steel rocker push button



Pull button

Activation button for a wide range of different needs
for the opening and closing of automatic doors

AREAS OF APPLICATION

→ Activation of automatic swing, sliding, folding, revolving and curved sliding doors

TECHNICAL DATA

| | Elbow switch plastic | Elbow switch LS990 stainless steel | Elbow switch stainless steel | Rocker push button plastic AS 500 |
|-----------------------|--|--|--|--|
| Specifications | - 1-pole normally open contact - Switching voltage: max. 24 V DC - Switching current: max. 1 mA | - 1-pole normally open contact - Switching voltage: max. 230 V AC - Switching current: max. 10 A | - 1-pole changeover contact - Switching voltage: max. 230 V AC - Switching current: max. 1 A | - 1-pole normally open contact - Switching voltage: max. 230 V AC - Switching current: max. 10 A |
| Version | surface-mounted | flush-/surface-mounted | surface-mounted | flush-/surface-mounted* |
| IP rating | IP30 / IP65* | IP30 | IP65 | IP20 |
| Dimensions | 90 x 180 x 23 mm | 81 x 223 x 18 mm (flush-mounted) 81 x 223 x 51 mm (surface-mounted) | 75 x 250 x 17 mm | 80 x 80 x 9 mm (flush-mounted) |
| ACCESSORIES | - *1-pole changeover contact IP65, ID no. 114156 - Wheelchair user label, ID no. 72581 - Rear panel, ID no. 131219 (white) ID no. 131220 (stainless steel) - WTM transmitting module 131212 | - WTM transmitting module 131212 | - Wheelchair user label, ID no. 72581 | - *Surface-mounted box, ID no. 120503 |
| ID no. | 114078 (white) 114077 (stainless steel) | 141042 (flush-mounted, white) 141041 (surface-mounted, white) 128583 (flush-mounted, stainless steel) 128582 (surface-mounted, stainless steel) | 119898 | 120888 |
| | Rocker push button LS990 stainless steel | Pull button | | |
| Specifications | - 1-pole normally open contact - Switching voltage: max. 230 V AC - Switching current: max. 10 A | - Contact system: 1 electric strike normally closed contact / 1 normally opened contact - Switching voltage: max. 230 V DC - Switching current: max. 10 mA | | |
| Version | flush-mounted | incl. pull line (length 1 m) | | |
| IP rating | IP20 | IP65 | | |
| Dimensions | 81 x 81 x 11 mm | 36 x 94 x 34 mm | | |
| ACCESSORIES | | | | |
| ID no. | 098396 | 008607 | | |



Children's Memorial Health Institute, Warsaw, Poland (photo: H. Łukasz Janicki / GEZE Polska)

LED sensor switch



LED sensor switch



LED sensor switch glass



LED sensor switch 20 mm



LED sensor foot switch

Capacitive push buttons for opening and closing automatic doors
with high hygiene demands

AREAS OF APPLICATION

→ Activation of automatic doors

TECHNICAL DATA

| | LED sensor switch | LED sensor switch glass | LED sensor foot switch | LED sensor switch 20 mm |
|-----------------------|---|---|---|---|
| Specifications | <ul style="list-style-type: none"> - PNP/NPN normally open contact - Switching voltage: max. 24 V DC - Switching current: max. 400 mA - Current consumption: max. 35 mA at 24 V | <ul style="list-style-type: none"> - PNP/NPN normally open contact - Switching voltage: max. 24 V DC - Switching current: max. 400 mA - Current consumption: max. 35 mA at 24 V | <ul style="list-style-type: none"> - PNP normally open contact - Switching voltage: max. 24 V DC - Switching current: max. 400 mA - Power consumption: max. 30 mA at 24 V | <ul style="list-style-type: none"> - PNP normally open contact - Switching voltage: max. 24 V DC - Switching current: max. 400 mA - Current consumption: max. 20 mA at 24 V |
| Version | Flush-mounted | Flush-mounted | Flush-mounted | Flush-mounted |
| IP rating | IP69 | IP69 | IP69K | IP69K |
| Dimensions | Ø 100 mm | Ø 100 mm | 100 × 100 mm | Ø 28.5 mm |
| ACCESSORIES | <ul style="list-style-type: none"> - Flat mounting ring, ID no. 139009 - High mounting ring, ID no. 139010 | Mounting ring, ID no. 184805 | Base assembly, ID no. 182941 – | |
| ID no. | 137529 | 143412 | 182936 | 143273 |



Installation situation (photo: GEZE GmbH)



DOOR, WINDOW AND SAFETY TECHNOLOGY

Protection

Play it safe – with our presence detectors. Our GEZE product range has a wide range of sensors for protection available, so that incoming and outgoing people can pass through your automatic door without danger. Thanks to infrared technology, the sensors perceive obstructions – be they people or objects – moving closer towards the door. If the door is opening, the movement is stopped immediately. If it is closing, the sensors arrange for the door to open again via the drive. This means that the greatest protection possible is available.



GC 342



Laser scanner for the protection of automatic swing doors in accordance with DIN 18650 / EN 16005

AREAS OF APPLICATION

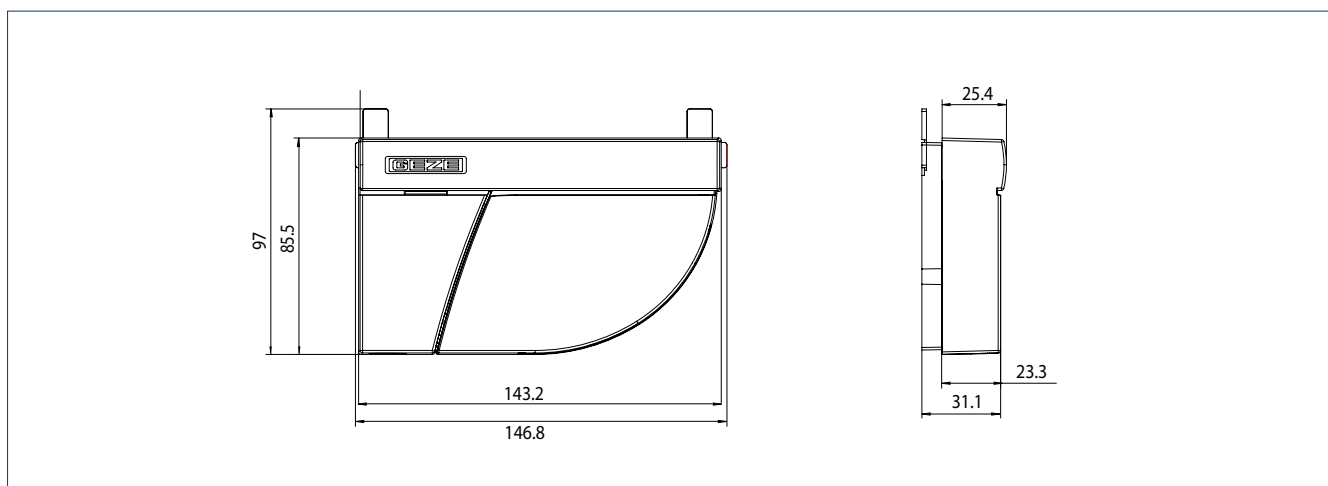
- Protection of automatic swing doors
- Interior and exterior doors
- Use on wide doors up to 1600 mm leaf width
- Complicated flooring, such as reflective floors, entrance mats, metal rails
- Use on doors with continuous vertical pull handle

PRODUCT FEATURES

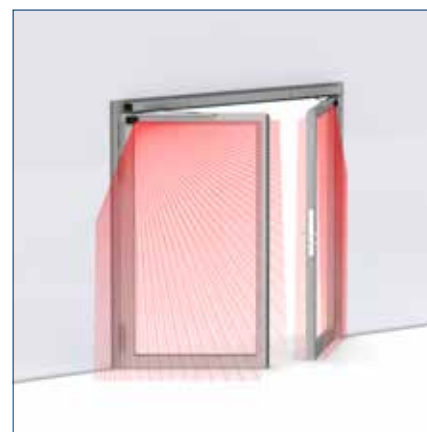
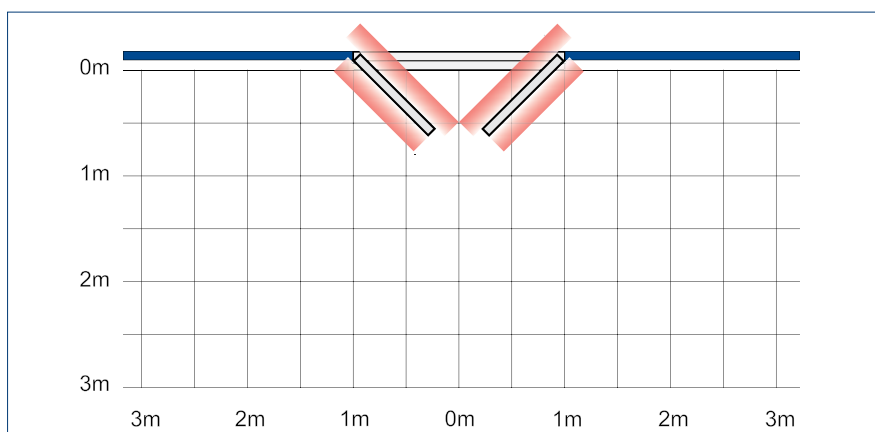
- Compact and space-saving safety sensor
- Close-knit detection area secures leaf widths up to max. 1600 mm
- Integrated object and wall blanking near maximum door opening
- Protection field on the main closing edge is automatically expanded depending on the door angle
- Automatised teaching of the system with the push of a button
- All settings can be conveniently made by DIP switch
- Door leaf installation on hinge side

TECHNICAL DATA

| GC 342 | |
|----------------------------|--|
| Technology | Laser scanner, light travel time measurement |
| Operating voltage | 24 V DC \pm 15% |
| Output | Transistor output, max. 42 V DC, max. 100 mA |
| Height | 86 mm |
| Width | 143 mm |
| Depth | 40 mm |
| Installation height (min.) | 1500 mm |
| Installation height (max.) | 3870 mm |
| Connecting cable | 2500 mm |
| Response time | Door leaf protection: < 50 ms / finger protection range: < 90 ms |
| IP rating | IP54 |
| Service temperature | -30 – 60 °C |
| Humidity | 0–95 % relative, non-condensing |
| Approvals | DIN 18650, EN 16005 |



DETECTION AREA AND APPLICATION EXAMPLE



Protection range: 1.0 m at an installation height of 3.87 m, 1.6 m at an installation height of 3.65 m | Depending on the building and door situation, a finger protection shutter may be necessary if people in need of protection are to use the automatic door safely, and in conformity with standards!

ORDER INFORMATION

| Designation | Version | ID no. |
|---|---|----------------------------|
| GC 342 Kit comprising two sensors for protecting the swivelling range of automatic swing doors in accordance with DIN 18650 / EN 16005 | white RAL 9016 black stainless steel colour | 167439 167438 167440 |
| GC 342 (left module) comprising one sensor for protecting the swivelling range (DIN left) of automatic swing doors in accordance with DIN 18650 / EN 16005 | white RAL 9016 black stainless steel colour | 167433 167432 167434 |
| GC 342 (right module) comprising one sensor for protecting the swivelling range (DIN right) of automatic swing doors in accordance with DIN 18650 / EN 16005 | white RAL 9016 black stainless steel colour | 167436 167435 167437 |

ACCESSORIES

| | | |
|--|----------------------------------|----------------------------|
| GC 342 protection cover set consisting of two weather hoods (left and right versions) | black EV1 according to RAL | 188669 188670 188671 |
| GC 342 fire protection kit Enables a smaller drill hole diameter for the master/slave connecting cable For fire protection doors, you need to check with the door constructor if the door can be drilled through, for testing certification reasons. | | 189384 |
| GC 342 retrofit interface For wiring the GC 342 to prefabricated doors | | 189422 |



GC 338



Sensor strip for the protection of automatic swing and revolving doors in accordance with DIN 18650 / EN 16005

AREAS OF APPLICATION

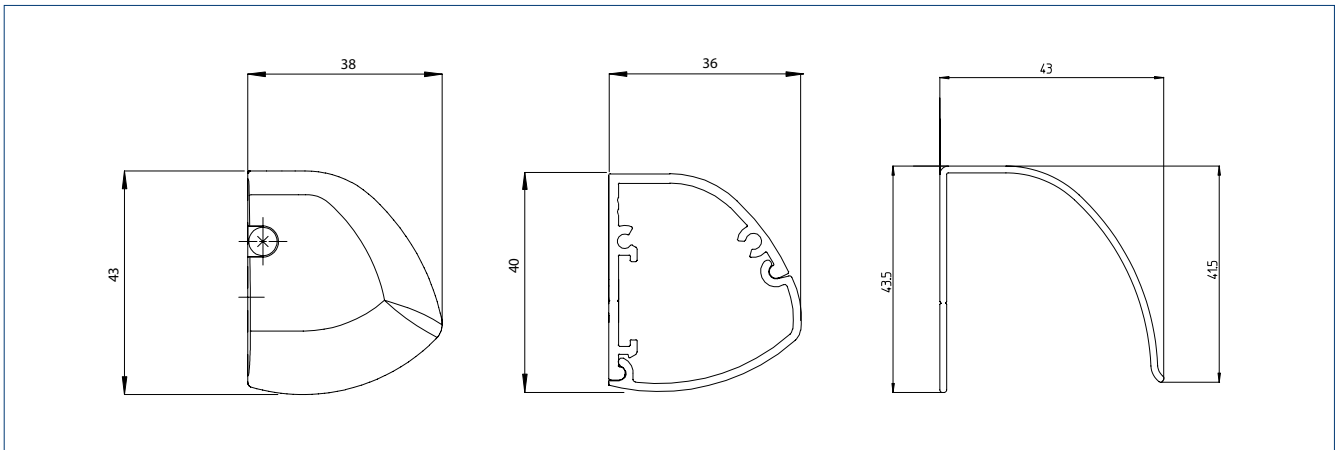
- Protecting automatic swing and revolving doors in accordance with DIN 18650 / EN 16005
- Interior and exterior doors
- Complicated flooring, such as reflective floors, entrance mats, metal rails
- Narrow door profiles

PRODUCT FEATURES

- Energy and space-saving sensor strip for protection
- Standby mode provides up to 50 % energy savings and increases the life span of the light emitting diodes
- Close-knit detection area secures leaf widths of up to max. 1500 mm
- Integrated object and wall blanking near maximum door opening
- Automatised teaching of the system with the push of a button
- All settings can be conveniently made by DIP switch
- Click installation in the sensor cut-out profile reduces installation work

TECHNICAL DATA

| GC 338 | |
|----------------------------|---|
| Technology | Active infrared beams |
| Operating voltage | 24 V DC ± 20% |
| Operating current | max. 200 mA (1200 series strip), max. 320 mA (1500 series strip) at 30 V DC |
| Output | PNP transistor output, max. 30 V DC, max. 100 mA |
| Installation height (min.) | 1500 mm |
| Installation height (max.) | 3500 mm |
| Connecting cable | 5000 mm |
| Response time | < 52 ms and < 200 ms in boost mode |
| IP rating | IP52 |
| Service temperature | -30 – 60 °C |
| Humidity | < 90 % relative, non-condensing |
| Approvals | DIN 18650, EN 16005 |



Leonberg town hall, Leonberg, Germany (photo: Jürgen Pollak / GEZE GmbH)

ORDER INFORMATION

| Designation | Version | ID no. |
|--|-------------------------|------------------|
| GC 338 pair of sensor strips L= 1200 mm comprising two complete sensor strips for protection of the swivelling range of automatic swing and revolving doors in accordance with DIN 18650 / EN 16005 | EV1 according to RAL | 142219 142825 |
| GC 338 pair of sensor strips L= 1500 mm comprising two complete sensor strips for protection of the swivelling range of automatic swing and revolving doors in accordance with DIN 18650 / EN 16005 | EV1 according to RAL | 142757 142827 |
| ACCESSORIES | | |
| Adaptor for sensor link arm For Powerturn, EMD / EMD-F and TSA 160 NT | EV1 according to RAL | 144352 153126 |
| GC GR for GC 338 L = 1200 mm For Powerturn / Powerturn F, installation on the hinge side, lever length 330 mm | EV1 according to RAL | 157450 157451 |
| GC GR for GC 338 L = 1500 mm For Powerturn / Powerturn F, installation on the hinge side, lever length 330 mm | EV1 according to RAL | 157472 157473 |
| GC GR for GC 338 L = 1200 mm For Powerturn / Powerturn F, opposite hinge side installation, lever length 450 mm | EV1 according to RAL | 157474 157475 |
| GC GR for GC 338 L = 1500 mm For Powerturn / Powerturn F, opposite hinge side installation, lever length 450 mm | EV1 according to RAL | 157476 157477 |
| GC GR for GC 338 L = 1200 mm For EMD-F-IS DIN left, transom installation opposite hinge side, with deeper guide, incl. lever and end caps | EV1 according to RAL | 149952 149956 |
| GC GR for GC 338 L = 1200 mm For EMD-F-IS DIN right, transom installation opposite hinge side, with deeper guide, incl. lever and end caps | EV1 according to RAL | 149958 149962 |
| GC GR for GC 338 L = 1200 mm for EMD/EMD-F, with lower guide, incl. lever and end caps | EV1 according to RAL | 146205 146209 |
| GC GR for GC 338 L = 1200 mm for TSA 160 NT, with deeper guide, incl. lever and end caps | EV1 according to RAL | 146217 146221 |
| GC GR for GC 338 L = 1200 mm for TSA 160 NT Z, with deeper guide, incl. lever and end caps | EV1 according to RAL | 146211 146215 |
| GC GR for GC 338 L = 1500 mm For EMD-F-IS DIN left, transom installation opposite hinge side, with deeper guide, incl. lever and end caps | EV1 according to RAL | 149953 149957 |
| GC GR for GC 338 L = 1500 mm For EMD-F-IS DIN right, transom installation opposite hinge side, with deeper guide, incl. lever and end caps | EV1 according to RAL | 149959 149963 |
| GC GR for GC 338 L = 1500 mm for EMD/EMD-F, with lower guide, incl. lever and end caps | EV1 according to RAL | 146206 146210 |
| GC GR for GC 338 L = 1500 mm for TSA 160 NT, with deeper guide, incl. lever and end caps | EV1 according to RAL | 146218 146222 |
| GC GR for GC 338 L = 1500 mm for TSA 160 NT Z, with deeper guide, incl. lever and end caps | EV1 according to RAL | 146212 146216 |

GC 335



Sensor strip for the protection of automatic swing and revolving doors
in accordance with DIN 18650 / EN 16005

AREAS OF APPLICATION

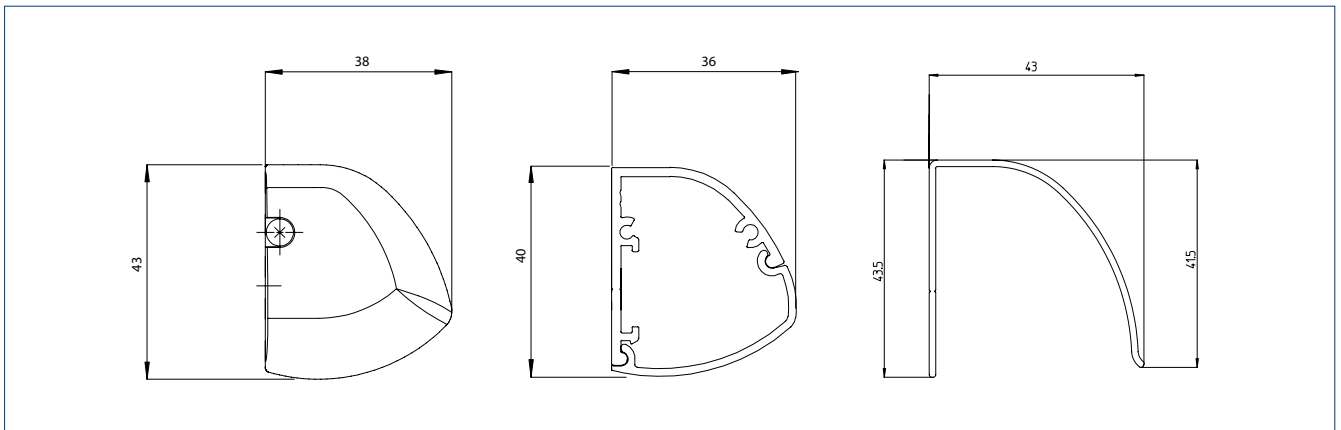
- Protecting automatic swing and revolving doors in accordance with DIN 18650 / EN 16005
- Interior and exterior doors
- Doors along escape and rescue routes
- Normal flooring

PRODUCT FEATURES

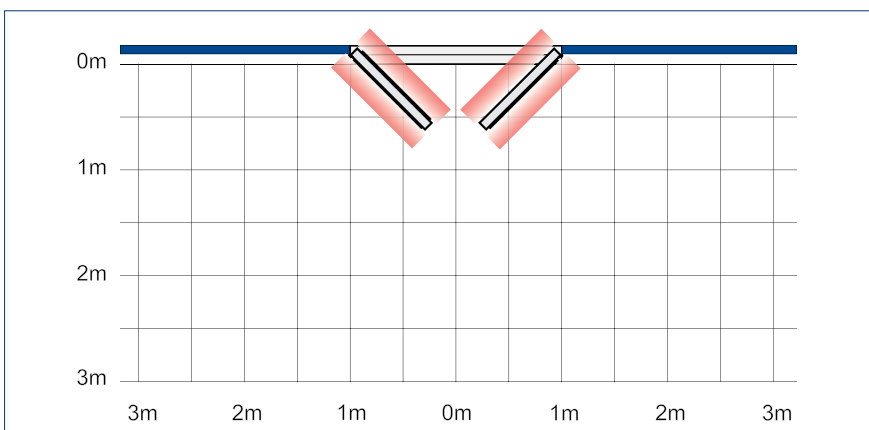
- Sensor strip with high safety standard to protect main and secondary closing edges
- Detection area secures leaf widths of up to max. 1400 mm
- Inclination angle and scanning range can be adjusted mechanically

TECHNICAL DATA

| GC 335 | |
|----------------------------|---|
| Technology | Active infrared beams |
| Operating voltage | 24 V DC |
| Operating current | 75 mA (master module), 65 mA (slave module) at 24 V DC |
| Output | Potential-free relay output, 30 V AC/DC, 0.3 A AC/0.3 A DC |
| Connection type | Plug-in screw terminal |
| Height | 42 mm |
| Depth | 37 mm |
| Dimensions | Sensor strip: 310/900/1400 (can be cut to size) x 42 x 37 mm (W x H x D) Sensor module: 179 x 23 x 33 mm (W x H x D) |
| Installation height (min.) | 1500 mm |
| Installation height (max.) | 2500 mm |
| Connecting cable | 1000 mm |
| Response time | < 70 ms |
| IP rating | IP52 |
| Service temperature | -10 – 50 °C |
| Humidity | < 90 % relative, non-condensing |
| Approvals | DIN 18650, EN 16005 |



DETECTION AREA AND APPLICATION EXAMPLE



0.08 x 0.03 m per sensor module | Values given measured at installation height of 2.2 m

NUMBER OF MODULES (MASTER + SLAVE) PER SENSOR STRIP

| Door leaf width | 0.8 m | 0.9 m | 1.0 m | 1.1 m | 1.2 m | 1.3 m | 1.4 m |
|---------------------------|-------|-------|-------|-------|-------|-------|-------|
| Installation height 2.2 m | 1+2 | 1+3 | | 1+4 | | 1+5 | |

ORDER INFORMATION

| Designation | Version | ID no. |
|---|-------------------------|------------------|
| GC 335 sensor strip L = 310 mm Protecting the swivelling range of automatic swing and revolving doors in accordance with DIN 18650 / EN 16005 | EV1 according to RAL | 129856 129859 |
| GC 335 sensor strip L = 900 mm Protecting the swivelling range of automatic swing and revolving doors in accordance with DIN 18650 / EN 16005 | EV1 according to RAL | 128054 128057 |
| GC 335 sensor strip L = 1400 mm Protecting the swivelling range of automatic swing and revolving doors in accordance with DIN 18650 / EN 16005 | EV1 according to RAL | 128058 128071 |

ACCESSORIES

| | | |
|--|-------------------------|------------------|
| Adaptor for sensor link arm For Powerturn, EMD / EMD-F and TSA 160 NT | EV1 according to RAL | 144352 153126 |
| GC 335 expansion kit With one slave module, connecting cable and clip bearing | | 128072 |
| Spot finder Device for determining the position of infrared curtains | | 112321 |
| Door transmission cable for GC 335 8-wire | | 057182 |
| Door transmission cable for sensor Length 300 mm | | 025901 |



Children's Memorial Health Institute, Warsaw, Poland (photo: H. Łukasz Janicki / GEZE Polska)

GC 341



Self-monitored light curtain for protecting and activating automatic sliding doors, suitable for GC 365

AREAS OF APPLICATION

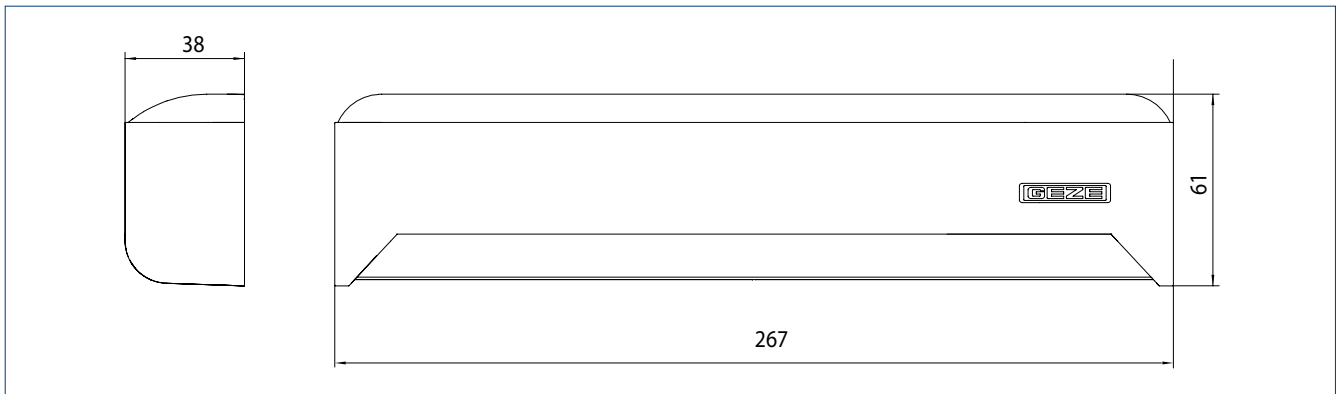
- Protection of automatic sliding doors
- Automatic sliding doors without protective leaves to protect secondary closing edges
- Interior and exterior doors

PRODUCT FEATURES

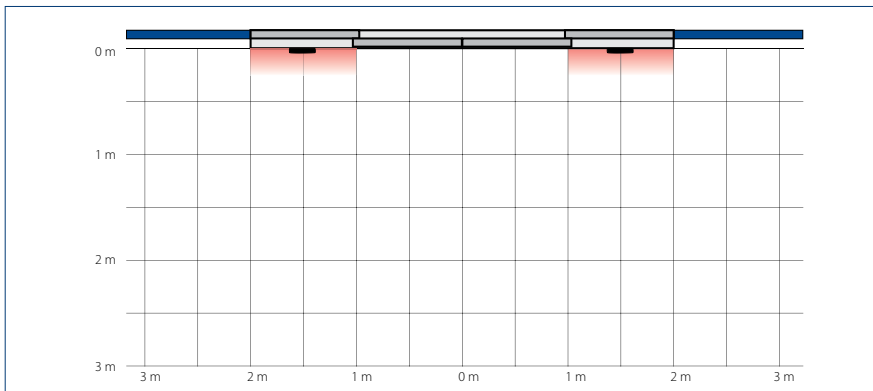
- Reliable detection up to an installation height of 3500 mm
- Four adjustable light curtain configurations without additional light prisms
- Convenient commissioning via DIP switch

TECHNICAL DATA

| GC 341 | |
|----------------------------|--|
| Technology | Active infrared beams |
| Operating voltage | 12 – 30 V DC / 12 – 24 V AC |
| Operating current | approx. 100 mA |
| Output | Electric relay, 50 V DC max. switching voltage, 100 mA max. output current |
| Connection type | System plug-type connector |
| Height | 61 mm |
| Width | 267 mm |
| Depth | 38 mm |
| Installation height (min.) | 2000 mm |
| Installation height (max.) | 3500 mm |
| Connecting cable | 3000 mm |
| Weight | 245 g |
| IP rating | IP54 |
| Service temperature | -20 – 55 °C |
| Humidity | < 80 % relative, non-condensing |
| Approvals | DIN 18650, EN 16005 |

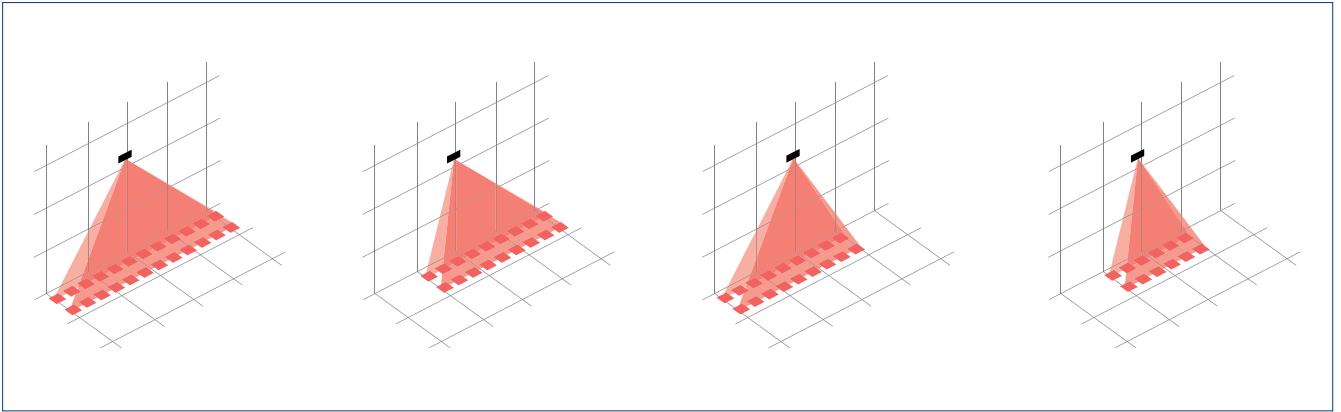


DETECTION AREA AND APPLICATION EXAMPLE



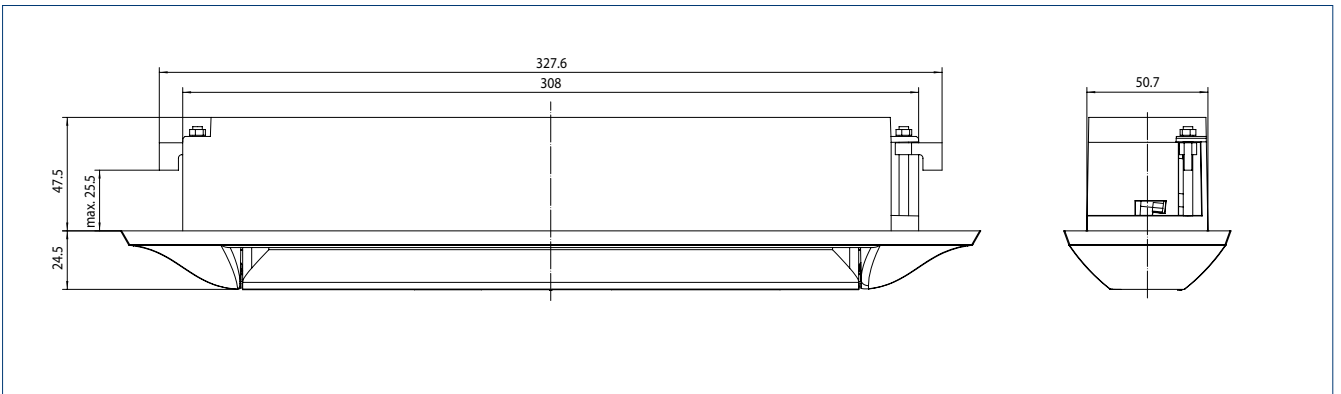
Active infrared detector Narrow field: 1.12 x 0.25 m, wide field: 2.65 x 0.25 m | Values given measured at an installation height of 2.2 m

4 ADJUSTABLE LIGHT CURTAIN CONFIGURATIONS WITHOUT ADDITIONAL LIGHT PRISMS

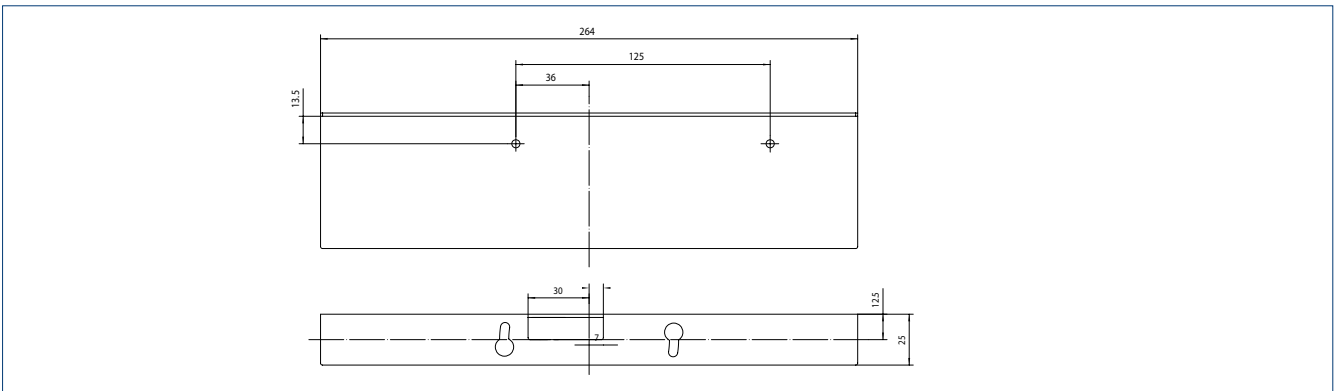


DIMENSIONAL DRAWINGS FOR ACCESSORIES

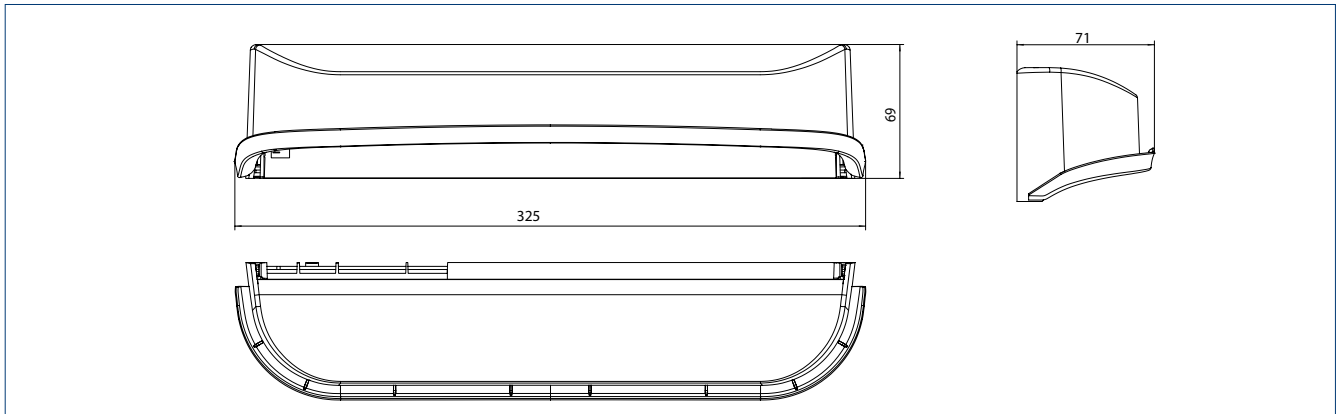
CEILING INSTALLATION KIT FOR GC 365 / GC 341



CEILING INSTALLATION BRACKET FOR GC 365 / GC 341



WEATHER HOOD FOR GC 365 / GC 341



ORDER INFORMATION

| Designation | Version | ID no. |
|--|---------|--------|
| GC 341 Self-monitored light curtain for protecting automatic doors | | 160285 |
| ACCESSORIES | | |
| Ceiling installation bracket GC 365 / GC 341 | black | 160286 |
| Weather hood for GC 365 / GC 341 Protection against precipitation in outdoor use | black | 160287 |
| Ceiling installation kit GC 365 / GC 341 Installation kit for integrating the detector in the ceiling | black | 160288 |
| Spot finder Device for determining the position of infrared curtains | | 112321 |

GC 339



Self-monitored light curtain for protecting automatic doors, suitable for GEZE GC 363

AREAS OF APPLICATION

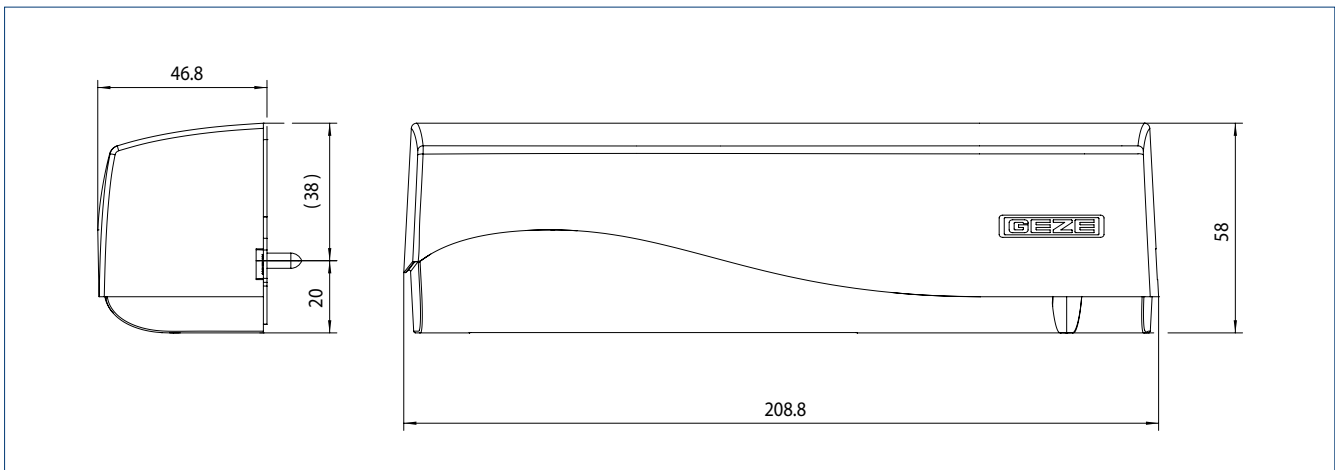
- Protection and activation of automatic swing, revolving and curved sliding doors
- Automatic sliding doors without protective leaves to protect secondary closing edges
- Interior and exterior doors

PRODUCT FEATURES

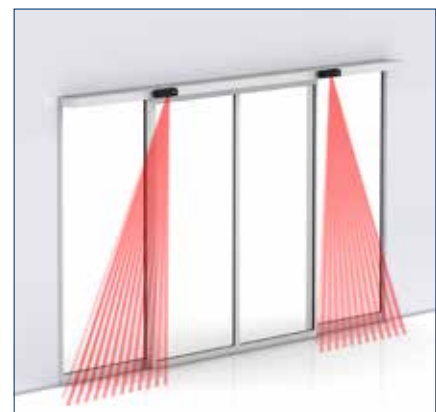
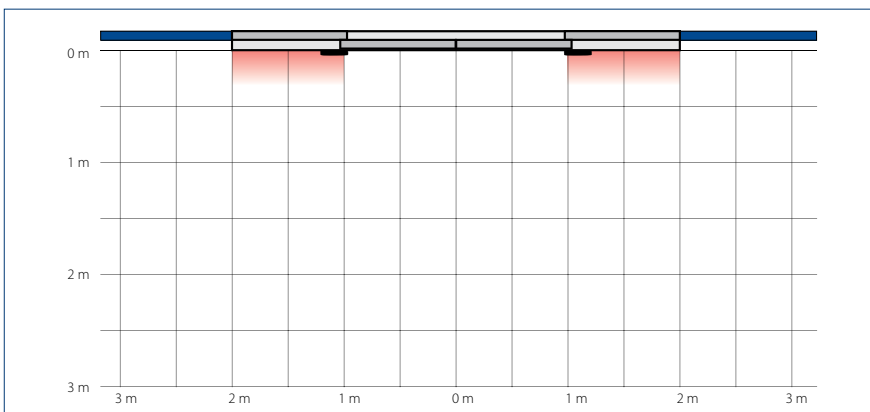
- Reliable detection up to an installation height of 3500 mm
- Ten adjustable light curtain configurations without additional light prisms
- Convenient commissioning via matrix display
- Auxiliary LEDs aid in optimum positioning of the interior light curtain in front of the door leaves during commissioning
- Door opening impulse only triggered if needed

TECHNICAL DATA

| GC 339 | |
|----------------------------|---|
| Technology | Active infrared beams |
| Operating voltage | 12-24 V DC/AC |
| Operating current | approx. 125 mA at 24 V DC |
| Output | Electric relay, 42 DC max. switching voltage, 100 mA max. switching current |
| Connection type | System plug-type connector |
| Height | 58 mm |
| Width | 209 mm |
| Depth | 47 mm |
| Installation height (min.) | 2000 mm |
| Installation height (max.) | 3500 mm |
| Connecting cable | 2600 mm |
| Weight | 250 g |
| IP rating | IP54 |
| Service temperature | -25 – 55 °C |
| Humidity | 0–95 % relative, non-condensing |
| Approvals | DIN 18650, EN 16005 |

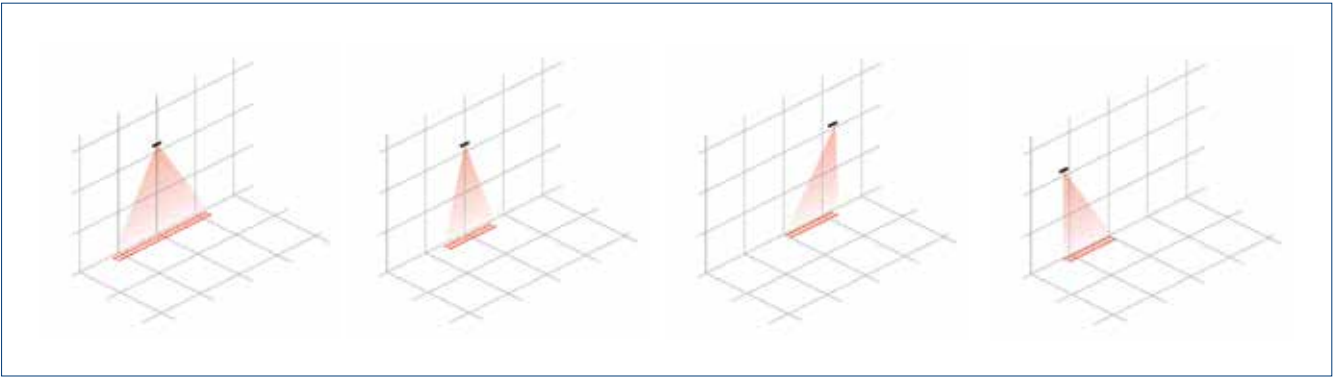


DETECTION AREA AND APPLICATION EXAMPLE



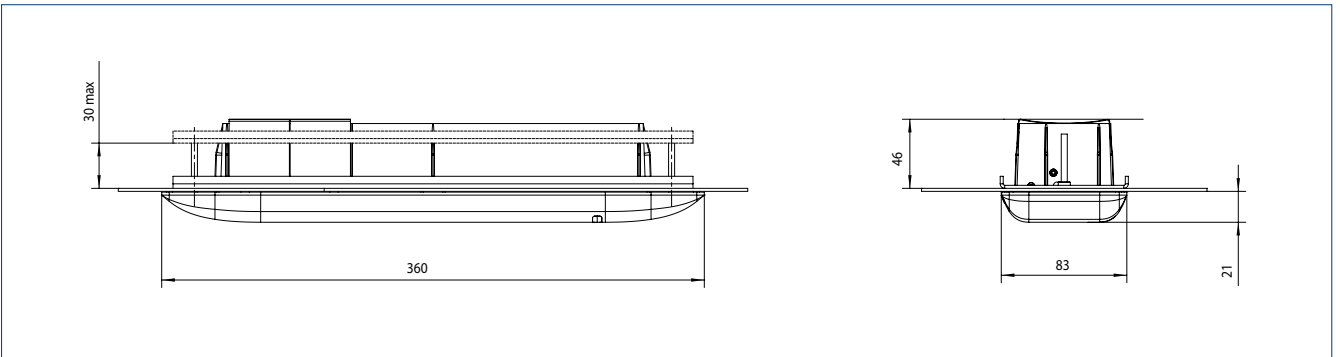
Active infrared detector Narrow field: 0.36 x 0.35 m, wide field: 2.2 x 0.35 m (W x D) | Values given measured at an installation height of 2.2 m

10 ADJUSTABLE LIGHT CURTAIN CONFIGURATIONS WITHOUT ADDITIONAL LIGHT PRISMS

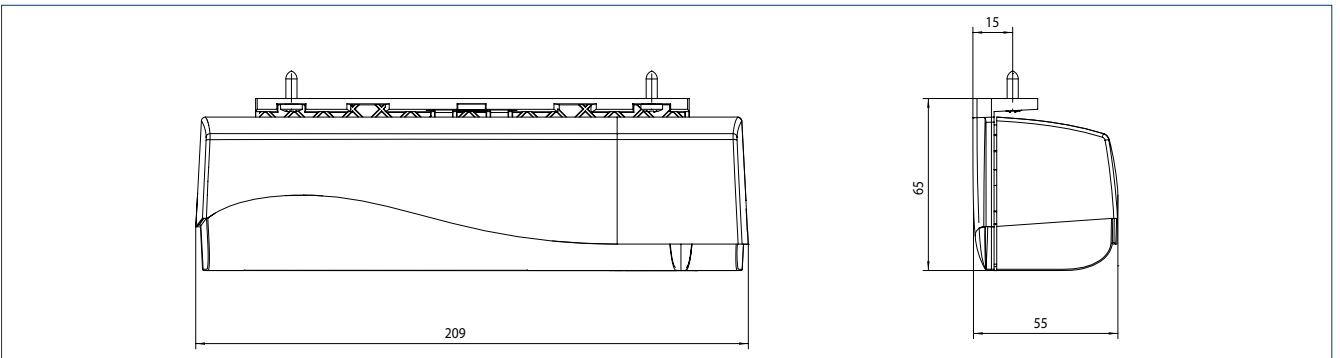


DIMENSIONAL DRAWINGS FOR ACCESSORIES

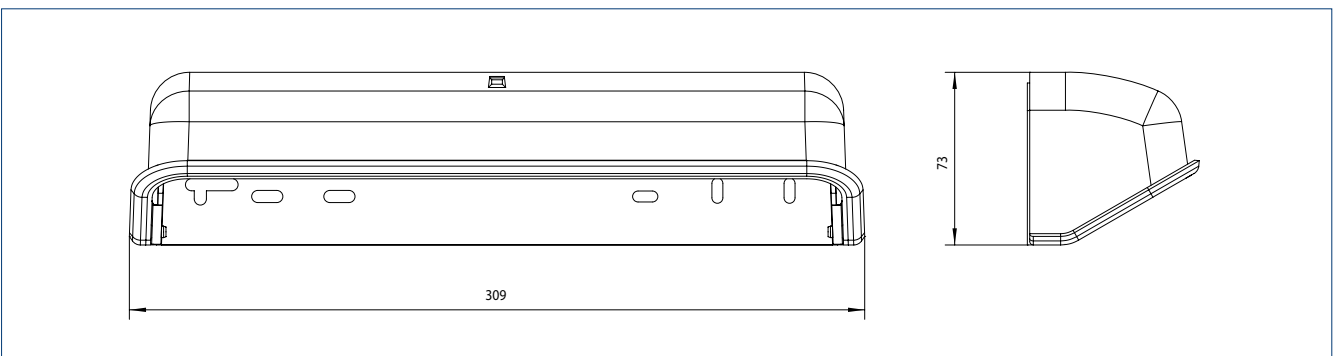
DECKENEINBAUSATZ FÜR GC 339



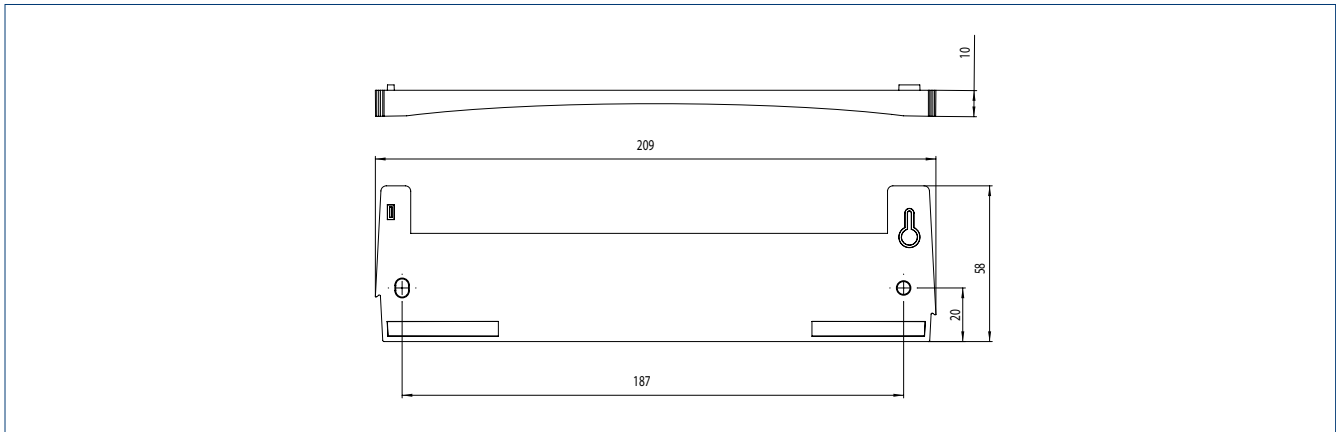
CEILING INSTALLATION BRACKET FOR GC 339



WEATHER HOOD FOR GC 339



CURVED ADAPTOR FOR GC 339



ORDER INFORMATION

| Designation | Version | ID no. |
|--|---------------------------|------------------|
| GC 339 Self-monitored light curtain for protecting automatic doors, suitable for GEZE GC 363 | black according to RAL | 151251 151252 |
| ACCESSORIES | | |
| Ceiling installation bracket GC 339 | black | 153568 |
| Ceiling installation kit GC 363 / GC 339 Installation kit for integrating the detector in the ceiling | white black | 151254 151253 |
| Curved adaptor for GC 339 | | 151540 |
| Weather hood for GC 363, GC 339 Protection against precipitation in outdoor use | black | 158250 |
| Remote control GC 363, GC 339, GC 304 Adjustment and parameter setting of GC 363, GC 339 and GC 304. Compatible with GC 362, GC 333, GC 333 C and ACTIV S GE | black | 100061 |
| Spot finder Device for determining the position of infrared curtains | | 112321 |



Children's Memorial Health Institute, Warsaw, Poland (photo: H. Łukasz Janicki / GEZE Polska)

GC 333 C



Self-monitored light curtain for leading mullion protection
of revolving-sliding door drives

AREAS OF APPLICATION

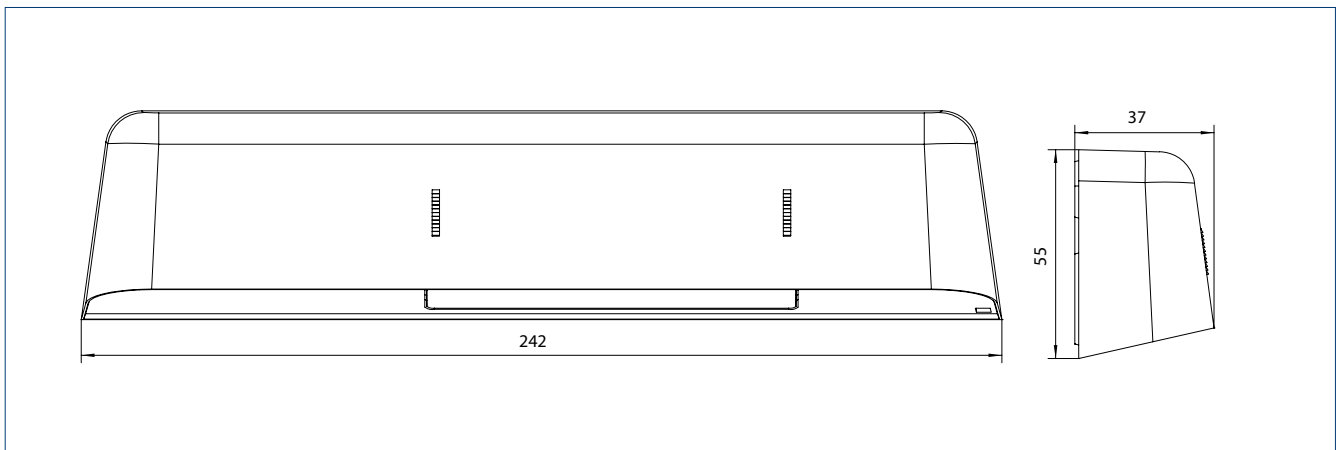
- Leading mullion protection for revolving door drives
- Interior and exterior doors

PRODUCT FEATURES

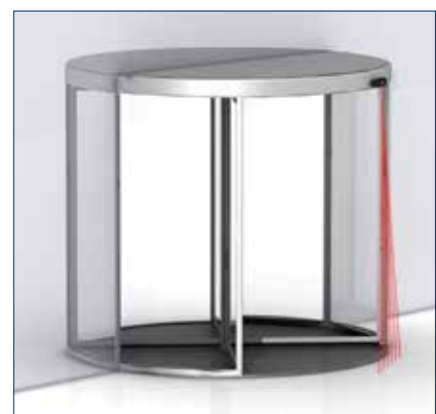
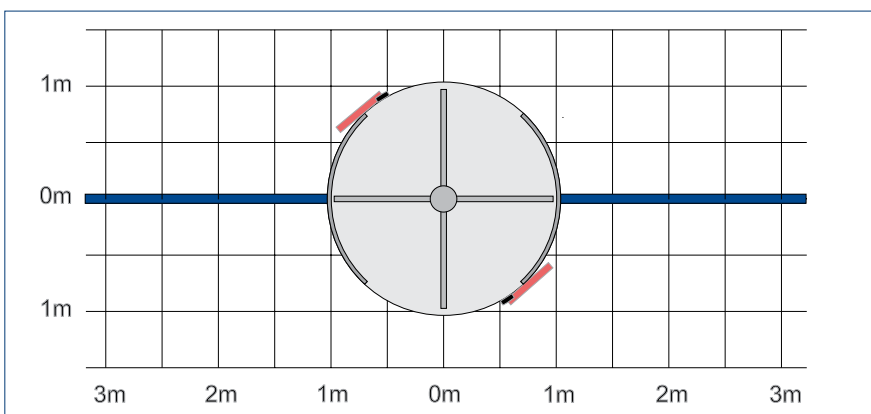
- Precisely limited detection area of adjustable size

TECHNICAL DATA

| GC 333 C | |
|----------------------------|---|
| Technology | Active infrared beams |
| Operating voltage | 12 – 24 V DC/AC |
| Operating current | approx. 125 mA at 24 V DC |
| Output | Electric relay, 42 DC max. switching voltage, 100 mA max. switching current |
| Height | 55 mm |
| Width | 242 mm |
| Depth | 37 mm |
| Installation height (min.) | 1800 mm |
| Installation height (max.) | 2700 mm |
| Connecting cable | 2500 mm |
| Weight | 250 g |
| IP rating | IP54 |
| Service temperature | -25 – 55 °C |
| Humidity | < 90 % relative, non-condensing |
| Approvals | CE according to DIN 18650 |

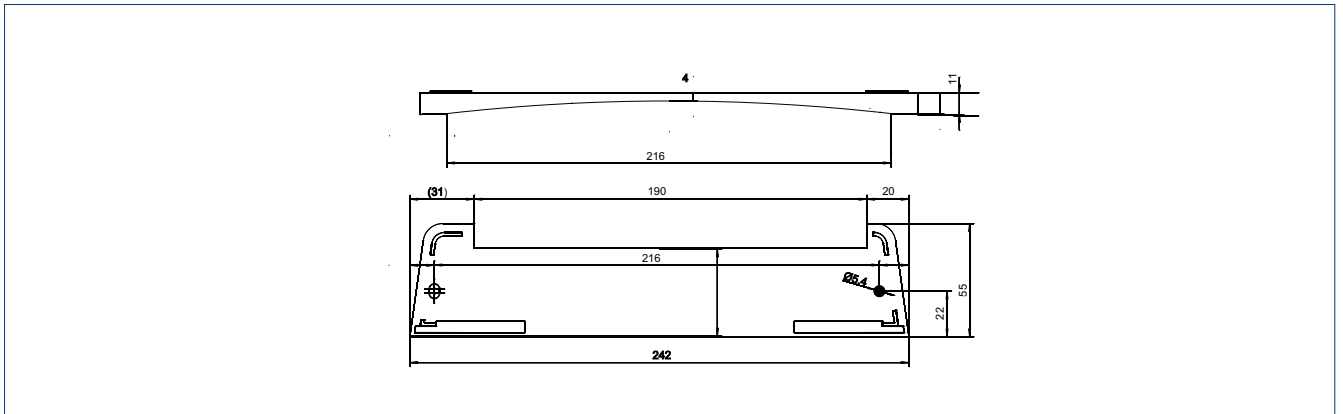


DETECTION AREA AND APPLICATION EXAMPLE



DIMENSIONAL DRAWINGS FOR ACCESSORIES

CURVED ADAPTOR FOR GC 333 C



ORDER INFORMATION

| Designation | Version | ID no. |
|--|---------|--------|
| GC 333 C Self-monitored light curtain for protecting and activating automatic doors | black | 127093 |
| ACCESSORIES | | |
| Spot finder Device for determining the position of infrared curtains | | 112321 |
| Remote control GC 363, GC 339, GC 304 Adjustment and parameter setting of GC 363, GC 339 and GC 304. Compatible with GC 362, GC 333, GC 333 C and ACTIV S GE | black | 100061 |
| Curved adaptor for GC 333 C | | 136404 |

GEZE 470 V / GZ 472 V



Safety photoelectric barriers as single and double beam version for automatic sliding doors

AREAS OF APPLICATION

- Protection of automatic sliding doors
- Interior and exterior doors

PRODUCT FEATURES

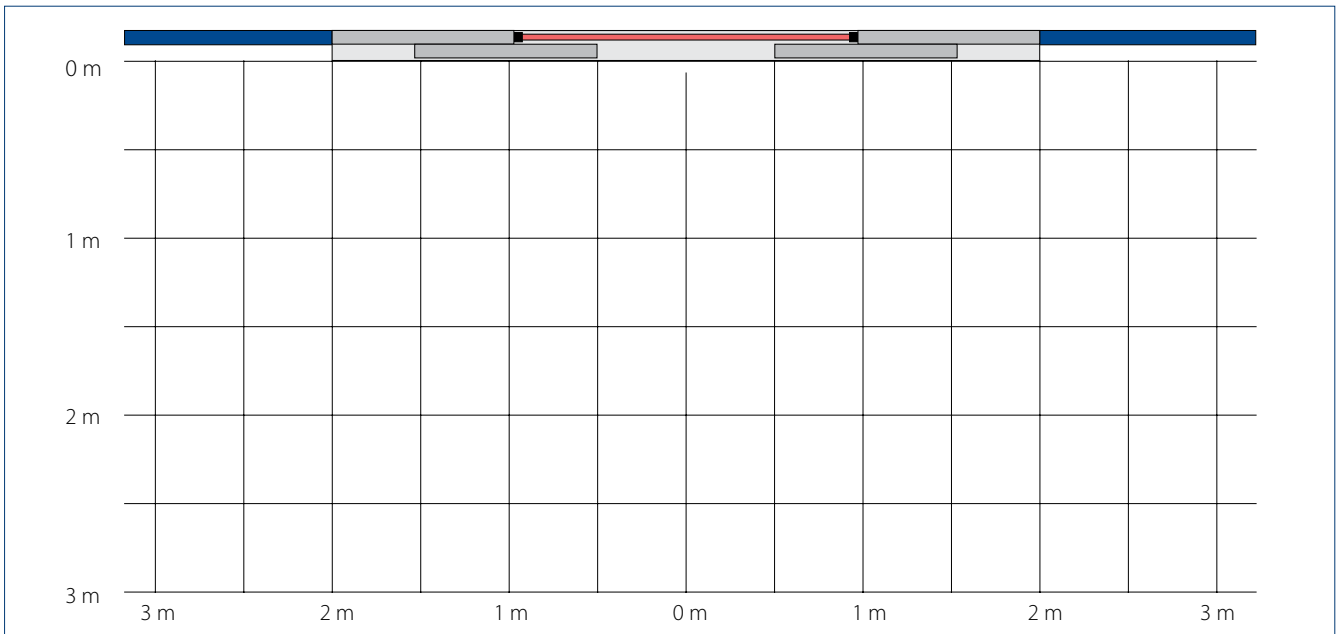
- Photoelectric barrier with one or two transmitters and receivers for reliable protection
- Maximum 5000 mm range with reciprocal spacing
- Flexible installation in different door profiles, thanks to its compact configuration
- Convenient attachment with double-sided tape strips
- Quick installation and little space needed

→ **Note:** Not permitted as sole protection in accordance with DIN 18650 / EN 16005

TECHNICAL DATA

| GEZE 470 V / GZ 472 V | |
|------------------------------|--|
| Technology | Active infrared beams |
| Number of IR | GZ 470 V: 1 channel GZ 472 V: 2 channels |
| Operating voltage | 11–30 V |
| Operating current | GZ 470 V: approx. 40 mA at 24 V DC GZ 472 V: approx. 80 mA at 24 V DC |
| Output | PNP transistor output, < 30 V DC, < 100 mA |
| Connection type | Cable prepared for connection to screw terminal |
| Height | 11.6 mm |
| Width | 85 mm |
| Depth | 11.5 mm |
| Installation height | GZ 470 V: at least 200 mm GZ 472 V: 200 and 1000 mm |
| Connecting cable | 8000 mm |
| Service temperature | -20–60 °C |
| Humidity | < 90 % relative, non-condensing |
| Approvals | CE in accordance with EMV 2014/30/EU and EN 60947-5-2 |

DETECTION AREA AND APPLICATION EXAMPLE



GZ 470 V



GZ 472 V



Recommended installation: Beam height at least 20 cm above the floor at a maximum distance of 5 m apart

ORDER INFORMATION

| Designation | Version | ID no. |
|--|---------|--------|
| GZ 470 V, single-beam photoelectric barrier Protection of automatic sliding doors with one transmitter and receiver | black | 112726 |
| GZ 472 V, twin-beam photoelectric barrier Protection of automatic sliding doors with two transmitters and receivers | black | 112727 |

ACCESSORIES

| | | |
|---------------------------------------|------------------|--------|
| Cover panel for photoelectric barrier | EV1 | 065312 |
| | dark bronze | 068739 |
| | mill finish | 068738 |
| | according to RAL | 099988 |



Photoelectric barrier installation situation (photo: GEZE GmbH)





DOOR, WINDOW AND SAFETY TECHNOLOGY

Combined detectors

It is certain that automatic sliding doors must open early, as soon as people want to access the door. At the same time, the sliding door must not touch people while it is opening and closing. Our GEZE combined detectors will help to ensure that this happens: radar movement detectors with infrared light curtains. They can be individually attached with little installation work and operated by remote control. Learn about the right model for you – whether it is for single or double-leaf sliding doors or for escape and rescue routes as well.



GC 365



Combined detector for the activation and protection of automatic sliding doors

AREAS OF APPLICATION

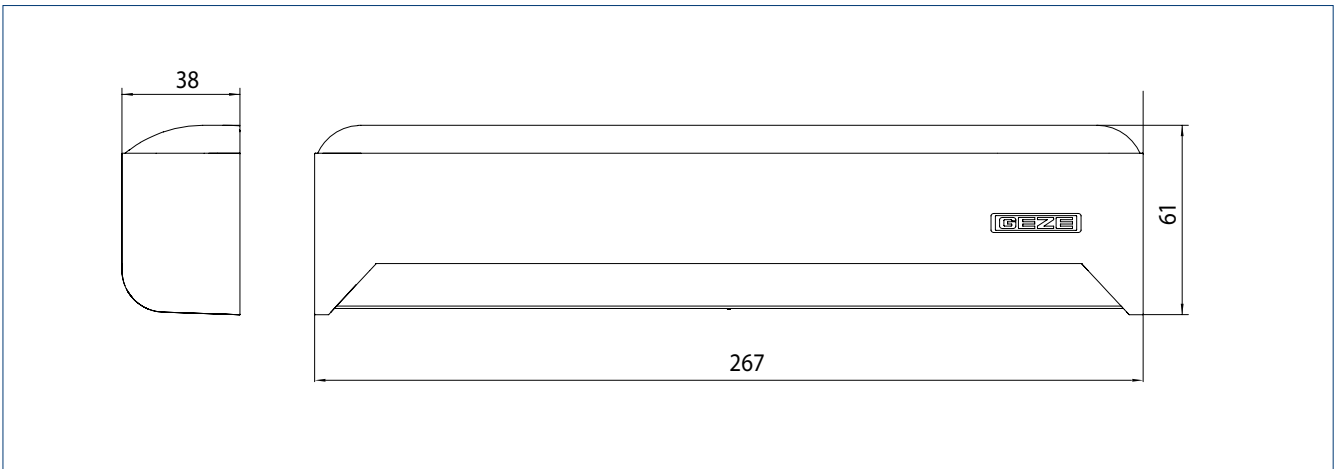
- Activation and protection of automatic sliding doors
- Interior and exterior doors

PRODUCT FEATURES

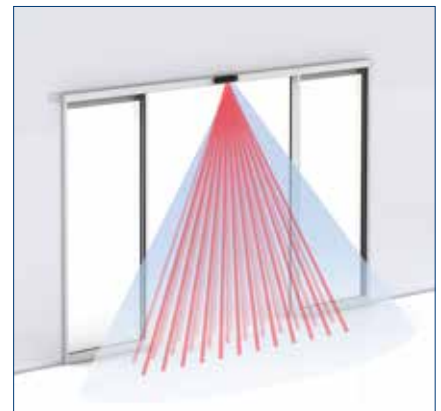
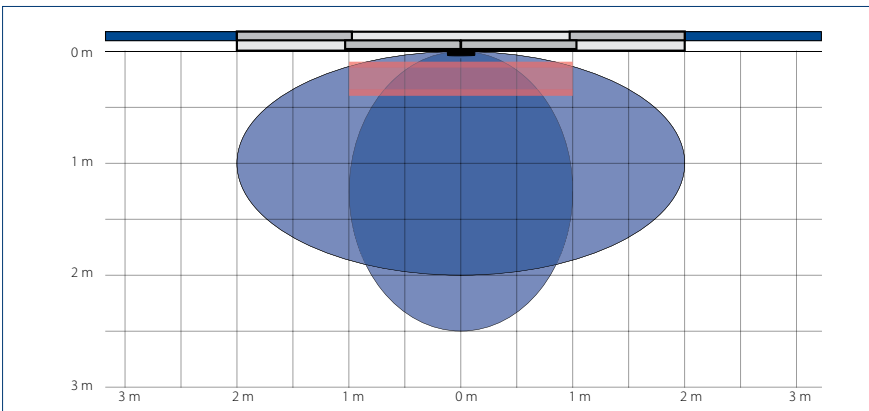
- Radar movement detector with infrared light curtain and third presence detector
- Reliable detection up to an installation height of 3500 mm
- Four adjustable light curtain configurations without additional light prisms
- Fewer sensors are needed in total due to the large detection area on the floor
- Look back function secures the area between the door leaves during the hold-open time
- Installation and parameter setting information provided directly in the sensor housing
- All settings can be conveniently made by DIP switch

TECHNICAL DATA

| GC 365 | |
|----------------------------|---|
| Technology | Electromagnetic radar waves/active infrared beams |
| Operating voltage | 12 – 30 V DC / 12 – 24 V AC |
| Operating current | approx. 100 mA |
| Output | Radar GC 365 R: Relay (potential-free contact), 50 V DC max. switching voltage, 300 mA max. output current Radar GC 365 SF: Transistor (opto-coupler, potential-free), 50 V DC max. switching voltage, 300 mA max. output current Light curtain: Electric relay, 50 V DC max. switching voltage, 100 mA max. output current |
| Connection type | System plug-type connector |
| Height | 61 mm |
| Width | 267 mm |
| Depth | 38 mm |
| Installation height (min.) | 2000 mm |
| Installation height (max.) | 3500 mm |
| Connecting cable | 3000 mm |
| Weight | 270 g |
| IP rating | IP54 |
| Service temperature | -20 – 55 °C |
| Humidity | 0-80 % relative, non-condensing |
| Approvals | DIN 18650, EN 16005 |

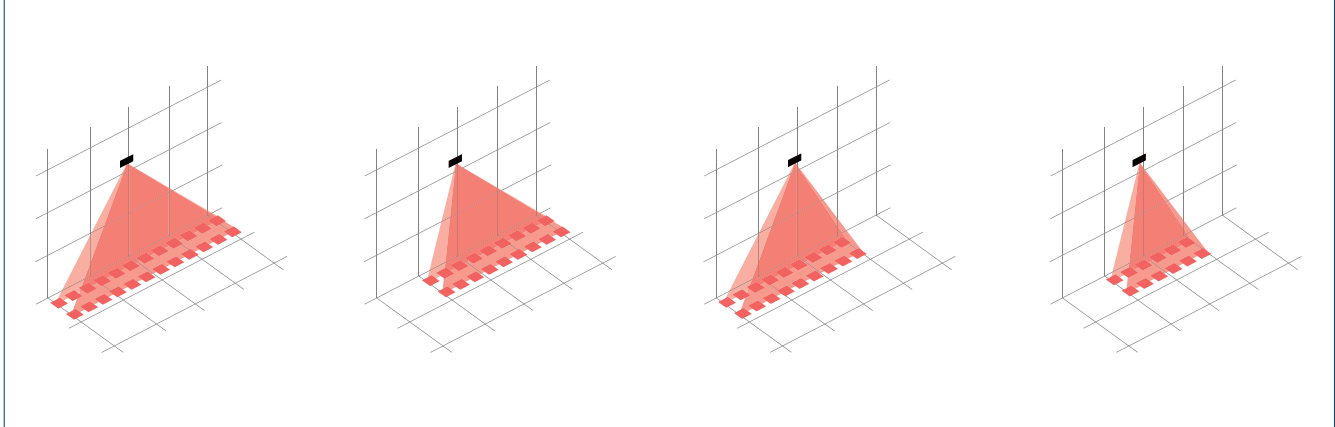


DETECTION AREA AND APPLICATION EXAMPLE



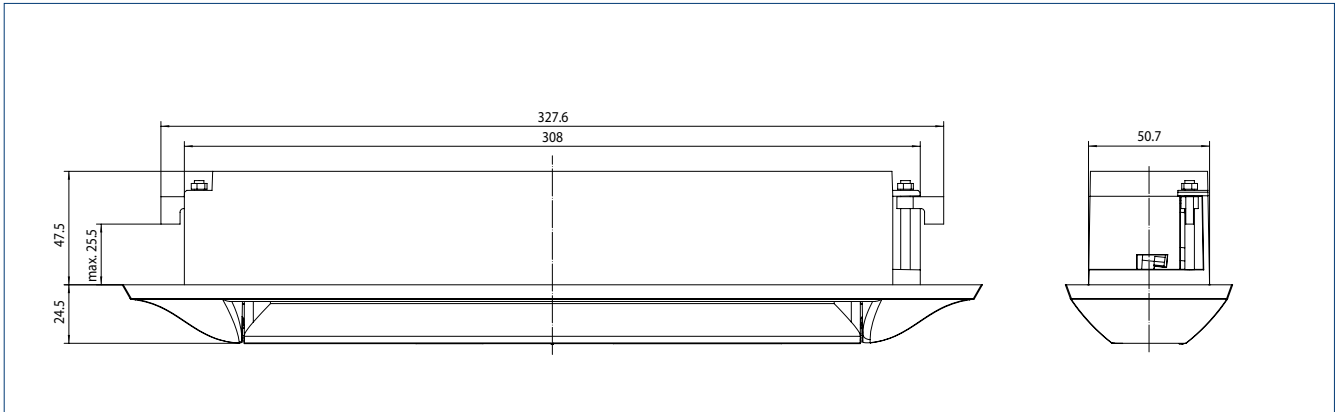
Radar field Narrow field (1): 2.0 x 2.5 m (W x D), wide field (2): 4.0 x 2.0 m (W x D) | **Active infrared detector** Narrow field: 1.12 x 0.25 m, wide field: 2.65 x 0.25 m
| Values given measured at installation height of 2.2 m

4 ADJUSTABLE LIGHT CURTAIN CONFIGURATIONS WITHOUT ADDITIONAL LIGHT PRISMS

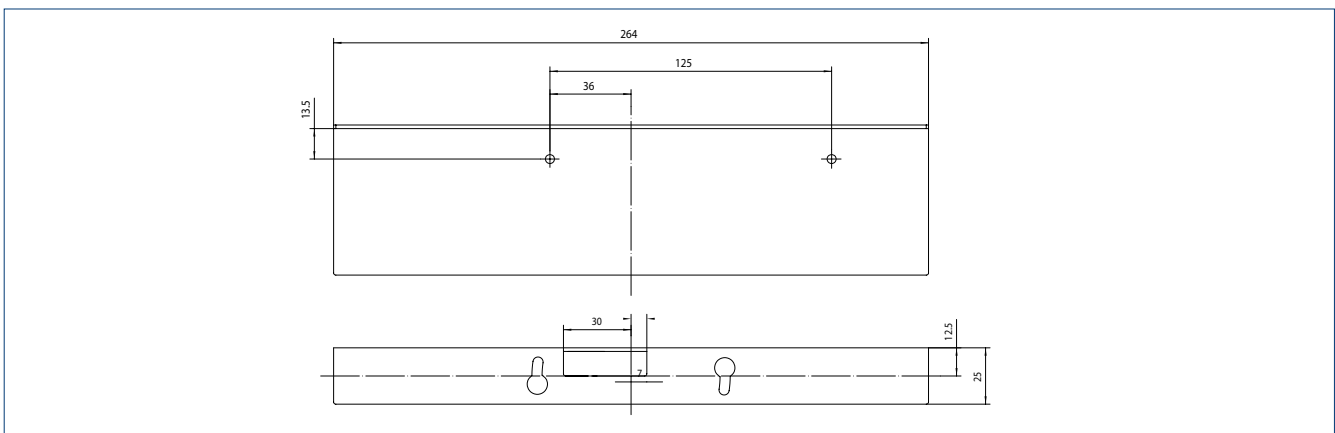


DIMENSIONAL DRAWINGS FOR ACCESSORIES

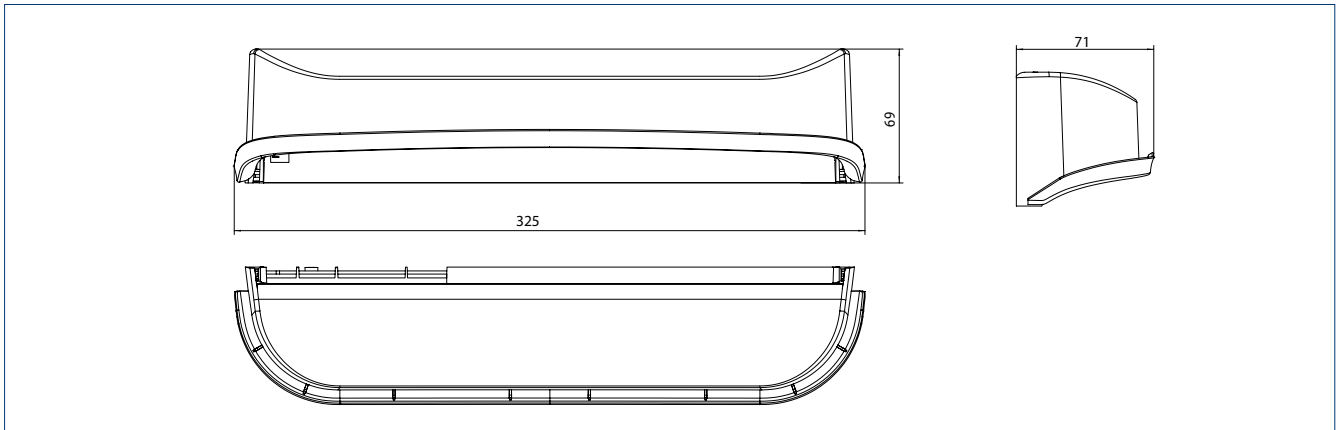
CEILING INSTALLATION KIT FOR GC 365 / GC 341



CEILING INSTALLATION BRACKET FOR GC 365 / GC 341



WEATHER HOOD FOR GC 365 / GC 341



ORDER INFORMATION

| Designation | Version | ID no. |
|---|---------|--------|
| Combined detector GC 365 R Combined detector for the activation and protection of automatic sliding doors | black | 160283 |
| Combined detector GC 365 SF Combined detector for the activation and protection of automatic sliding doors | black | 160284 |
| ACCESSORIES | | |
| Ceiling installation bracket GC 365 / GC 341 | black | 160286 |
| Weather hood for GC 365 / GC 341 Protection against precipitation in outdoor use | black | 160287 |
| Ceiling installation kit GC 365 / GC 341 Installation kit for integrating the detector in the ceiling | black | 160288 |
| Spot finder, device for determining the position of infrared curtains | | 112321 |



Bannockburn Visitor Centre, Stirling, United Kingdom (photo: Ian Arthur / GEZE GmbH)

GC 363



Combined detector for the activation and protection of automatic sliding doors

AREAS OF APPLICATION

- Activation and protection of automatic sliding doors
- Interior and exterior doors
- Complicated flooring, such as reflective floors, entrance mats, metal rails
- Wall, ceiling, or integrated ceiling installation

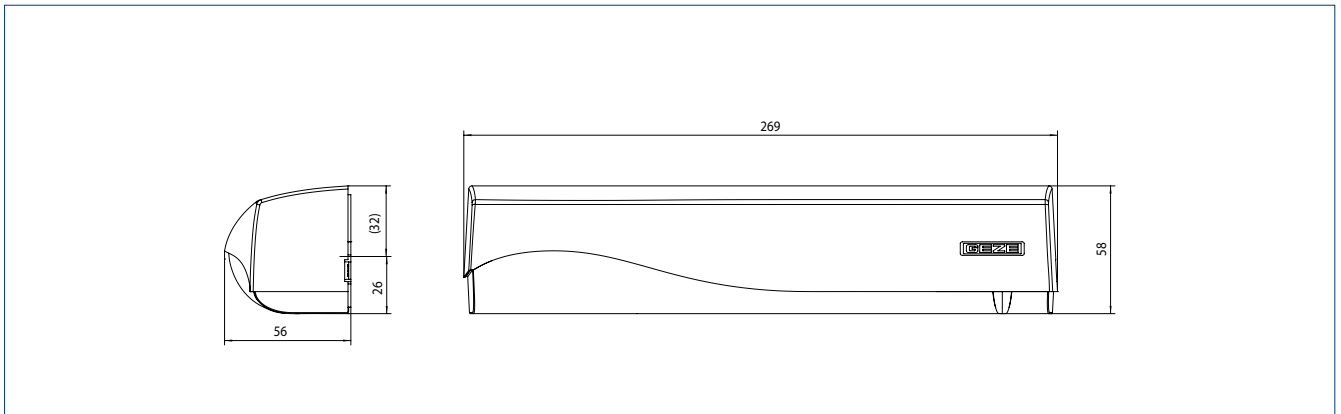
PRODUCT FEATURES

- Radar movement detector with infrared light curtain and third presence detector
- Reliable detection up to an installation height of 3500 mm
- Ten adjustable light curtain configurations without additional light prisms
- Fewer sensors are needed in total due to the large detection area on the floor
- Detection of direction of movement and cross-traffic fade-out help save energy
- All settings can be changed via remote control
- Reduced installation work needed due to the combination of activation and protection in a single device

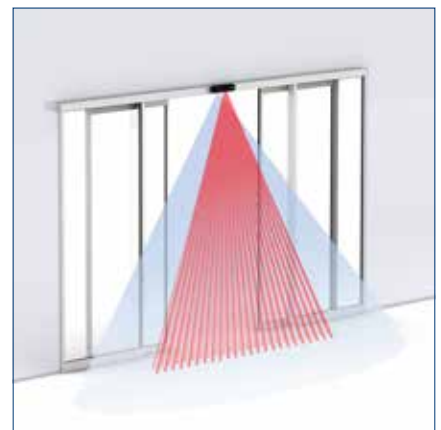
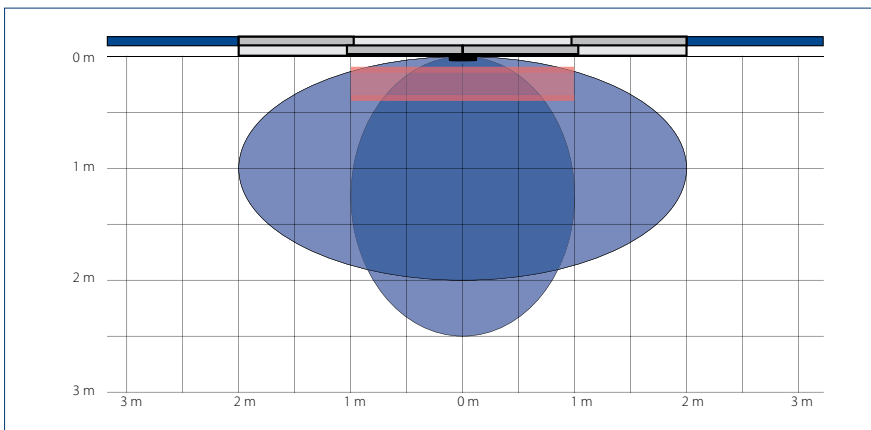
TECHNICAL DATA

| GC 363 | |
|----------------------------|--|
| Technology | Electromagnetic radar waves/active infrared beams |
| Operating voltage | 12 – 24 V DC/AC |
| Operating current | approx. 125 mA at 24 V DC |
| Output | Radar GC 363 R: Relay (potential-free contact), 42 V DC max. switching voltage, 1 A max. output current Radar GC 363 SF: transistor (opto-coupler, potential-free), 42 V DC max. switching voltage, 100 mA max. output current Light curtain: Electrical relay, 42 V DC max. switching voltage, 100 mA max. output current |
| Connection type | System plug-type connector |
| Height | 58 mm |
| Width | 270 mm |
| Depth | 58 mm |
| Installation height (min.) | 2000 mm |
| Installation height (max.) | 3500 mm |
| Connecting cable | 2600 mm |
| Weight | 250 g |
| IP rating | IP54 |
| Service temperature | -25 – 55 °C |
| Humidity | 0 – 95 % relative, non-condensing |
| Approvals | DIN 18650, EN 16005 |

GC 363

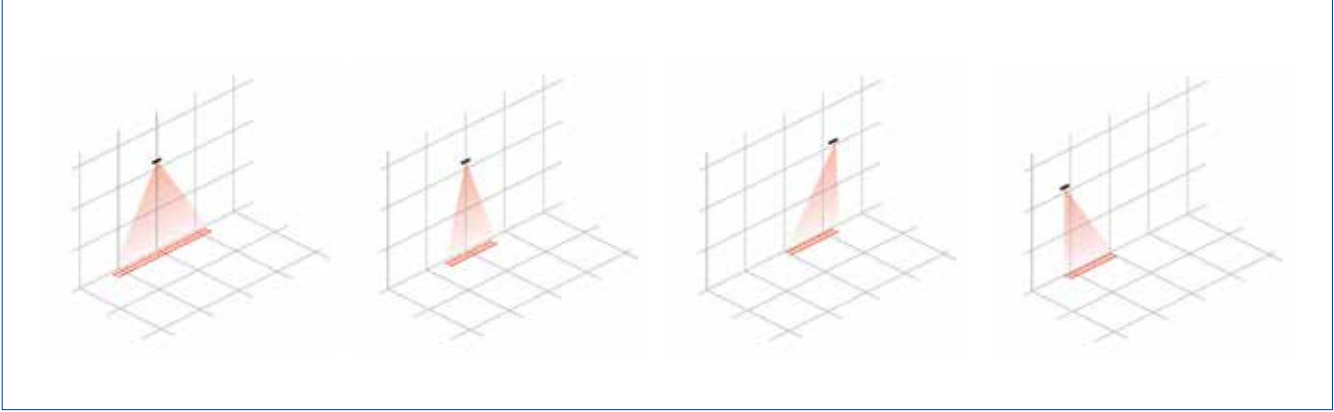


DETECTION AREA AND APPLICATION EXAMPLE



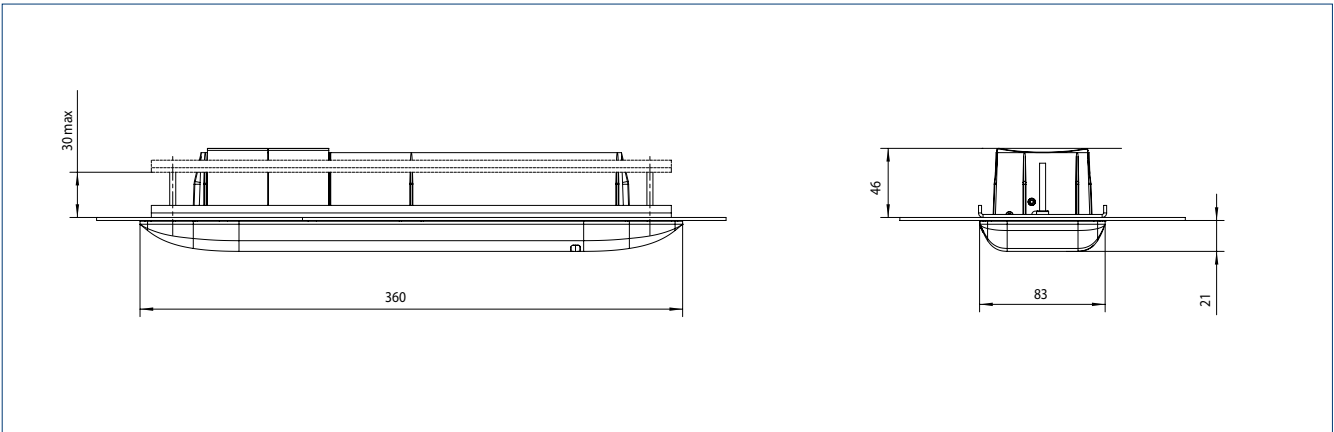
Radar field Narrow field (1): 2.0 x 2.5 m (W x D), wide field (2): 4.0 x 2.0 m (W x D) | **Active infrared detector** Narrow field: 0.36 x 0.35 m, wide field: 2.2 x 0.35 m (W x D) | Values given measured at an installation height of 2.2 m

10 ADJUSTABLE LIGHT CURTAIN CONFIGURATIONS WITHOUT ADDITIONAL LIGHT PRISMS

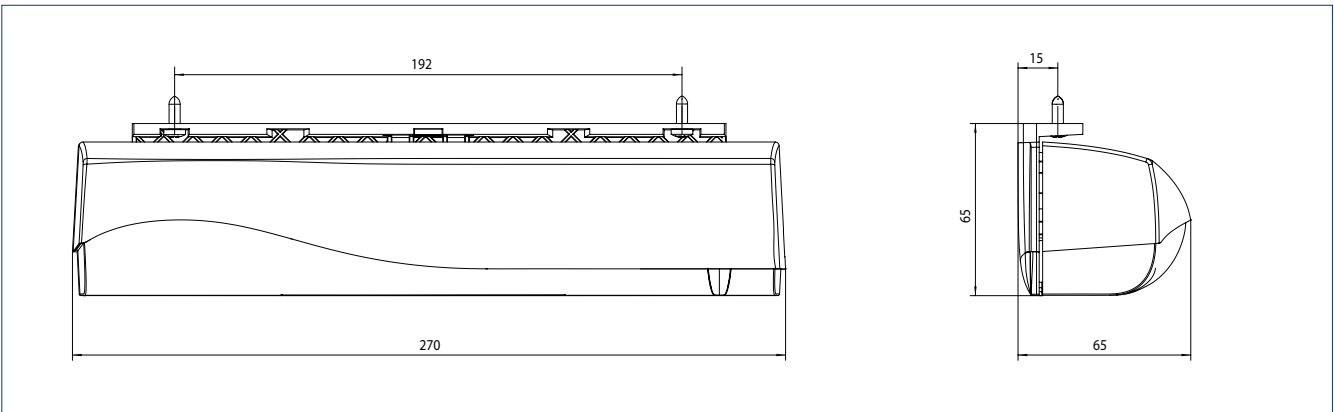


DIMENSIONAL DRAWINGS FOR ACCESSORIES

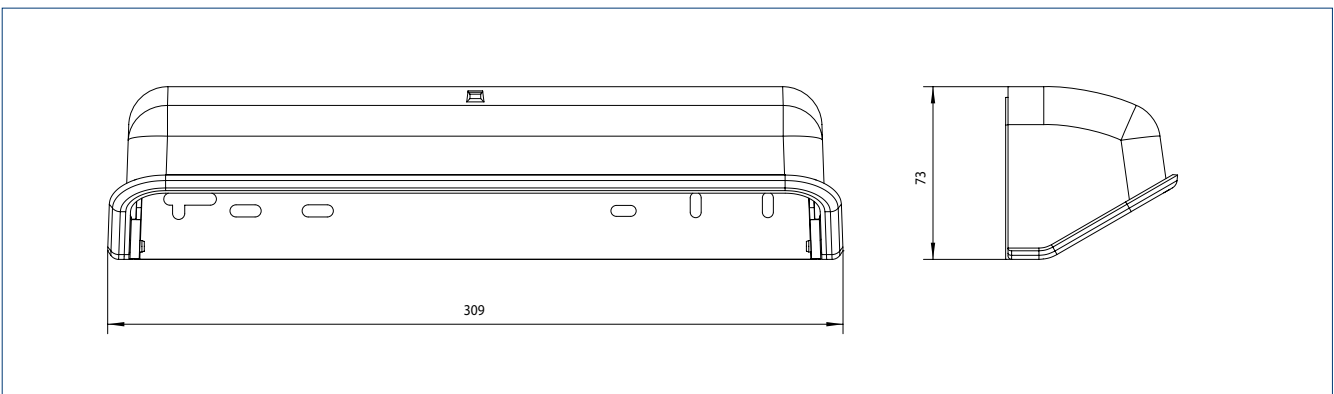
CEILING INSTALLATION KIT FOR GC 363



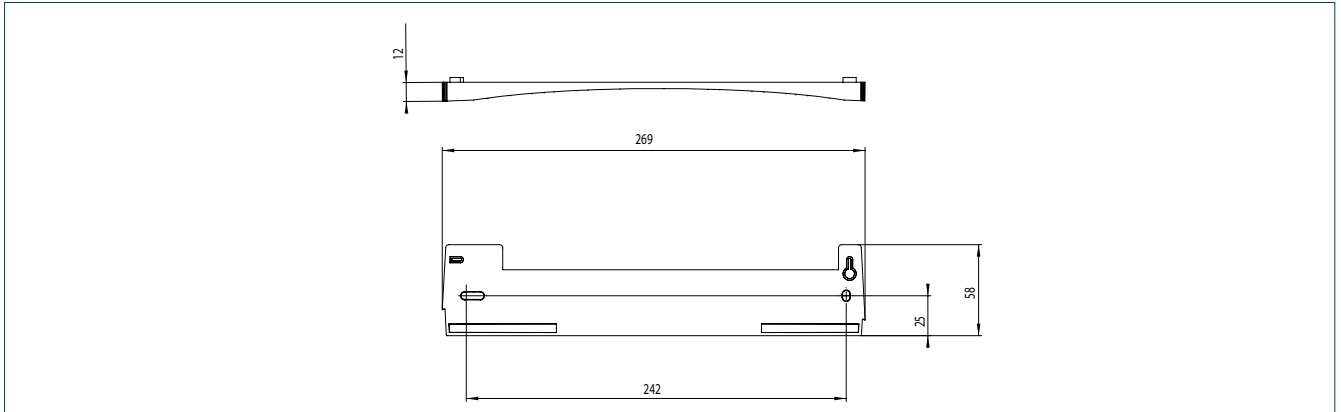
CEILING INSTALLATION BRACKET FOR GC 363



WEATHER HOOD FOR GC 363



CURVED ADAPTOR FOR GC 363



ORDER INFORMATION

| Designation | Version | ID no. |
|---|---------------------------|------------------|
| GC 363 R combined detector Combined detector for the activation and protection of automatic sliding doors | Black according to RAL | 151237 151238 |
| GC 363 SF combined detector Combined detector for the activation and protection of automatic sliding doors | Black according to RAL | 151239 151240 |
| ACCESSORIES | | |
| Ceiling installation bracket GC 363 | black | 151256 |
| Ceiling installation kit GC 363 / GC 339 Installation kit for integrating detector into the ceiling | white black | 151254 151253 |
| Curved adaptor for GC 363 | | 151255 |
| Weather hood for GC 363, GC 339 Protection from rainfall in exterior area | black | 158250 |
| Remote control for GC 363, GC 339, GC 304 Adjustment and parameter setting for GC 363, GC 339 and GC 304. Compatible with GC 362, GC 333, GC 333 C and ACTIV S GE | black | 100061 |
| Spot finder Device for determining the position of infrared curtains | | 112321 |
| Interface GC 363 S Interface for the series connection of several self-monitored GC 363 SF combined detectors for the FR-RWS, FR-LL and FR-DUO versions | | 151361 |



Installation situation (photo: GEZE GmbH)



DOOR, WINDOW AND SAFETY TECHNOLOGY

Programme switches and key switches

If you only want authorised people to be able to operate or control your automatic sliding doors, then lock your doors or clear them with the help of our programme switches. This is especially important for escape and rescue routes, as programme switches are prescribed here for every door system. Choose between mechanical lockable programme switches or display and keypad programme switches which can be combined with a key switch or protected with a code. You will be on the safe side in any event.



Programme switches



Display programme switch (DPS) with OFF switch



Display programme switch with key switch (DPS-SCT) and OFF switch



Keypad programme switch (TPS)



Keypad programme switch with key switch (TPS-SCT)



Mechanical programme switch (MPS)



Mechanical programme switch with key (MPS-ST)



Mechanical programme switch with rotary knob (MPS-D)



Mechanical programme switch with key (MPS-D-ST)

Programme switches for selection of the operating status of automatic doors

AREAS OF APPLICATION

- For surface- and flush-mounted installation
- Compatible with: Jung AS 500, A plus, Gira: Standard 55, E2, Esprit, Event, stainless steel (with Gira 028920 intermediate frame), Merten: M-Smart, M-Plan, Berker: B.1, B.7

TECHNICAL DATA

| | DPS | DPS-SCT | TPS | TPS-SCT | MPS | MPS-ST | MPS-D | MPS-D-ST |
|---|---|---|---|---|---|---|---|---|
| ECdrive T2 Slimdrive SL Powerdrive | ● | ● | ● | ● | ● | ● | | |
| ECdrive T2-FR Slimdrive SL-FR Powerdrive FR | ●**** | ● | ●**** | ● | | ● | | |
| ECTurn | | | ● | ● | | | | |
| Slimdrive EMD / -F | ● | ● | ● | ● | ● | ● | ● | ● |
| TSA 160 NT / -F | ●** | ●** | ●** | ●** | ● | ● | ● | ● |
| TSA 150 / TSA 160 | | | | | | | ● | ● |
| Powerturn | ● | ● | | | ● | ● | ● | ● |
| TSA 325 NT | | | ●*** | ●*** | | | | |
| operation | Push buttons | Push buttons + key | Push buttons | Push buttons + key | Rotary knob | Key | Rotary knob | Key |
| Functionality | Parameter setting, commissioning and selection of operating status | Parameter setting, commissioning and selection of operating status with authorisation | Selection of operating status | Selection of operating status with authorisation | Selection of operating status | Selection of operating status with simultaneously locking key | Selection of operating status | Selection of operating status with simultaneously locking key |
| Fault display | using numerical code | using numerical code | via LED blink code | via LED blink code | via LED warning light | via LED warning light | | |
| Version | flush-/ surface-mounted* | flush-/ surface-mounted* | flush-/ surface-mounted* | flush-/ surface-mounted* | flush-/ surface-mounted* | flush-/ surface-mounted* | flush-/ surface-mounted* | flush-/ surface-mounted* |
| IP rating | IP40 | IP40 | IP40 | IP40 | IP40 | IP40 | IP40 | IP40 |
| Dimensions (WxHxD) | 80 x 80 x 11 mm (flush mounted) 80 x 80 x 47 mm (surface mounted*) | 80 x 152 x 11 mm (flush mounted) 85 x 156 x 47 mm (surface mounted*) | 80 x 80 x 11 mm (flush mounted) 80 x 80 x 47 mm (surface mounted*) | 80 x 152 x 11 mm (flush mounted) 85 x 156 x 47 mm (surface mounted*) | 80 x 80 x 22 mm (flush mounted) 80 x 80 x 58 mm (surface mounted*) | 80 x 80 x 18 mm (flush mounted) 80 x 80 x 54 mm (surface mounted*) | 80 x 80 x 22 mm (flush mounted) 80 x 80 x 58 mm (surface mounted*) | 80 x 80 x 18 mm (flush mounted) 80 x 80 x 54 mm (surface mounted*) |
| ACCESSORIES | | Euro profile half cylinder ID no. 090176 | | Euro profile half cylinder ID no. 090176 | | Replacement key, ID no. 137054 | | Replacement key, ID no. 137055 |
| ID no. | 151524 | 155810 | 113231 | 113232 | 113226 | 113227 | 118417 | 118418 |

* For surface-mounted installation order surface-mounted box 120503 (1-piece) or 128609 for SCT versions (2-piece) separately.
 ** Can be used from DCU5 with V B
 *** Special version for revolving doors with 'Manual' mode of operation: TPS-KDT (ID no.: 126582), TPS-KDT-SCT (ID no.: 126583)
 **** Can be used from DCU 1-2 M V 3.0 with password protection

Key switches



Burglary-resistant key switch



Key switch plastic AS 500



Key switch stainless steel (1)



Key switch stainless steel (2)



Key switch stainless steel (3)

Key switches for authorised opening of automatic doors

AREAS OF APPLICATION

- Activation of automatic swing, sliding, folding, revolving and curved sliding doors
- Can be used for inside and outside areas as contact authorisation

TECHNICAL DATA

| | Burglary-resistant key switch | AS 500 plastic key switch |
|-----------------------|--|--|
| Specifications | <ul style="list-style-type: none"> - 1-pole normally open contact - Switching voltage: max. 230 V AC - Switching current: max. 5 A - Spring return, one side | <ul style="list-style-type: none"> - 1-pole normally open contact - Switching voltage: max. 240 V AC - Switching current: max. 4 A - Spring return, one side |
| Version | Flush-mounted (not for standard flush-mounted box) /surface-mounted | flush-/surface-mounted* |
| IP rating | IP54 | IP20 |
| Dimensions | 75 x 75 x 11 mm (flush-mounted) 75 x 75 x 50 mm (surface-mounted) | 80 x 80 x 11 mm |
| ACCESSORIES | | <ul style="list-style-type: none"> - *Surface-mounted box, ID no. 120503 - Switch contact, ID no. 024467 - Euro profile cylinder, ID no. 090176 |
| ID no. | 054240 (flush-mounted) 054532 (surface-mounted) | 117996 |

| | Stainless steel key switch (1) | Stainless steel key switch (2) | Stainless steel key switch (3) |
|-----------------------|--|--|---|
| Specifications | <ul style="list-style-type: none"> - 1-pole normally open contact - Switching voltage: max. 230 V AC - Switching current: max. 5 A - Spring return, one side | <ul style="list-style-type: none"> • 2-pole normally open contact - Switching voltage: max. 230 V AC - Switching current: max. 5 A - Latching, two sides (key removable in Position I) | <ul style="list-style-type: none"> • 2-pole normally open contact - Switching voltage: max. 230 V AC - Switching current: max. 5 A - Latching or spring return, two sides (key removable in Position I) |
| Version | Flush-mounted | Flush-mounted | Surface-mounted |
| IP rating | IP54 | IP54 | IP54 |
| Dimensions | 79 x 79 x 13 mm | 79 x 79 x 13 mm | 75 x 74 x 66 mm |
| ACCESSORIES | Euro profile cylinder, ID no. 090176 | Euro profile cylinder, ID no. 090176 | |
| ID no. | 098870 | 111357 | 137056 |

Safety switches and buttons



Manual trigger switch



Emergency stop switch with glass pane



Manual trigger switch with glass pane



Emergency stop switch with palm button (1)



Emergency stop switch with palm button (2)



Emergency stop switch with palm button (3)



Main switch

Safety switches and buttons for deactivating the mains voltage and enabling emergency opening of automatic doors

AREAS OF APPLICATION

- Protecting automatic swing, sliding, folding, revolving and curved sliding doors
- Use in emergencies for switching off the mains voltage
- Use in emergencies for opening automatic doors
- Use during maintenance work for switching off the mains voltage
- Use for hold-open systems for manual release of hold-open device

TECHNICAL DATA

| | Manual trigger switch | Emergency stop switch with glass pane | Manual trigger switch with glass pane |
|-----------------------|--|---|--|
| Specifications | <ul style="list-style-type: none"> - 1-pole changeover contact - Switching voltage: max. 250 V AC - Switching current: approx. 10 A - incl. resistance | <ul style="list-style-type: none"> - 1-pole changeover contact - Switching voltage: max. 250 V AC - Switching current: max. 10 A - with glow lamp | <ul style="list-style-type: none"> - 1-pole changeover contact - Switching voltage: max. 250 V AC - Switching current: approx. 10 A - incl. resistance |
| Version | flush-/surface-mounted* | flush-/surface-mounted* | flush-/surface-mounted* |
| IP rating | IP40 | IP20 | IP20 |
| Dimensions | 80 x 80 x 9 mm | 80 x 80 x 21 mm | 80 x 80 x 21 mm |
| ACCESSORIES | - Surface-mounted box, ID no.: 120503 | - Surface-mounted box, ID no.: 120503 - Replacement glass panel, ID no.: 010994 | - Surface-mounted box, ID no.: 120503 - Replacement glass panel, ID no.: 010994 |
| ID no. | 116266 | 120881 | 120880 |

| | Emergency stop switch with palm button (1) | Emergency stop switch with palm button (2) | Emergency stop switch with palm button (3) | Main switch |
|-----------------------|--|--|--|---|
| Specifications | <ul style="list-style-type: none"> - Contact system 1 electric strike / 1 door closer - Switching voltage: max. 230 V AC - Switching current: max. 10 A - Lighting: 24 V DC at 15 mA | <ul style="list-style-type: none"> - Contact system 1 electric strike / 1 door closer - Switching voltage: max. 230 V AC - Switching current: max. 10 A - Lighting: 24 V DC at 15 mA | <ul style="list-style-type: none"> - Contact system 1 electric strike / 1 door closer - Switching voltage: max. 230 V AC - Switching current: max. 10 A - Lighting: 24 V DC at 15 mA | <ul style="list-style-type: none"> - Contact system 3 door closers - Switching voltage: max. 230 V AC - Switching current: max. 20 A |
| Version | Flush-mounted | Surface-mounted | Surface-mounted | flush-/surface-mounted |
| IP rating | IP40 | IP65 | IP30 | IP54 |
| Dimensions | 80 x 80 x 49 mm | 94 x 94 x 122 mm | 72 x 147 x 75.5 mm | 90 x 90 x 9 mm (flush-mounted) 90 x 121 x 72 mm (surface-mounted) |
| ACCESSORIES | 2. Normally closed contact ID no.: 100204 | 2. Normally closed contact ID no.: 100204 | 2. Normally closed contact ID no.: 100204 | |
| ID no. | 123132 | 076777 | 024535 | 018433 (flush-mounted), 018354 (surface-mounted) |



Panorama Restaurant at the peak of the Zugspitze, Garmisch Partenkirchen, Germany (photo: Robert Sprang / GEZE GmbH)



DOOR, WINDOW AND SAFETY TECHNOLOGY

Smoke switches and control units

You need to ensure maximum safety in the event of a fire – smoke switch control units on automatic doors are vital here. If smoke or a fire develops, the smoke switch control unit will react early and reliably: the automatic door will close immediately. This is done by cutting the power which the smoke switch control unit normally supplies to the hold-open devices in the door. Practical: You can check the status of the integrated smoke switch at any time via the visual display.



RSZ 7 smoke switch control unit



Extendable smoke switch control unit for all GEZE hold-open devices

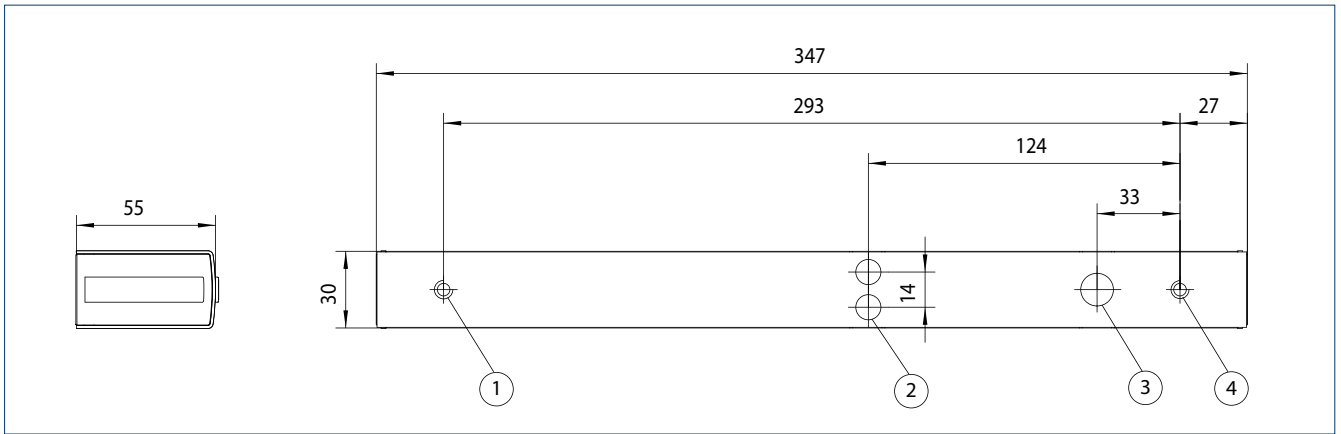


AREAS OF APPLICATION

- Approved for all GEZE hold-open devices for the early detection of fire and smoke
- Difficult lintel situations, for example with too little space above the smoke chamber
- Installation above the active leaf on the vertical wall
- Installation possible with surface-mounted line-feed

PRODUCT FEATURES

- Telescopic function for bridging overhangs of up to 30 mm
- Connection to 230 V power supply and 24 V DC supply of the hold-open device
- Voltage supply of the hold-open system is interrupted in the case of an alarm and the doors close
- Integrated smoke switch with automatic adaptation of the alarm threshold
- Compensates for light contamination of the smoke chamber and thus increases the service life
- Visual display of the current control unit status
- Additional smoke switches can be connected
- Surface-mounted line-feed possible



1 = M5 threaded hole | 2 = opening for additional connections | 3 = power supply (230 V) | 4 = M5 threaded hole

ORDER INFORMATION

| Designation | Version | ID no. |
|---|--|--------|
| RSZ 7 smoke switch control unit Smoke switch control unit for all GEZE hold-open devices | silver-coloured | 181025 |
| | white RAL 9016 | 184195 |
| | simulated stainless steel ¹ | 184196 |
| | according to RAL ² | 185231 |

ACCESSORIES

| | | |
|--|--------------|--------|
| FA GC 170 wireless KIT Set comprising: 1 piece GC 171 wireless module for the wireless extension of GEZE hold-open systems and 2 pieces GC 172 wireless ceiling-mounted smoke detectors | | |
| GC 152 smoke detector Complete with base, 24 V DC, 20 mA, tested in accordance with EN54-7, general building approval for use with all GEZE hold-open systems, integrated line monitoring, conforms with DIN EN 14637 | white | 139850 |
| GC 153 thermal detector Complete with base, 24 V DC, 20 mA, tested in accordance with EN54-5, general building approval for use with all GEZE hold-open systems, integrated line monitoring, conforms with DIN EN 14637 | white | 139881 |
| Manual trigger switch Flush-mounted version for the manual release of electrically controlled hold-open devices | alpine white | 116266 |
| Surface-mounted box, single suitable for the AS 500 switch range | | 120503 |
| Manual trigger switch with glass pane and 5 interchangeable labels Flush-mounted version for the manual release of electrically controlled hold-open devices | alpine white | 120880 |
| Replacement glass pane for 120880 and 120881 manual trigger switch | | 010994 |

¹ Only for dry rooms | ² Surcharge for RAL special colours, see General Notes in the price list.



DOOR, WINDOW AND SAFETY TECHNOLOGY

Accessories

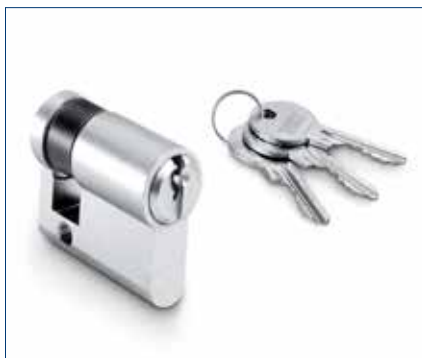
If you want to protect your automatic doors even more and protect them from potential damage, you can find further products which increase safety in our accessories range. For example, you can install a floor lock with a Euro profile cylinder, which you can lock with a key as and when needed. Or you might opt for one of our number code locks, which have a particularly durable structure with cast casing and a metal keypad, protecting it from damage. Please do not hesitate to contact us if you have any questions about our products or installation and retrofitting.



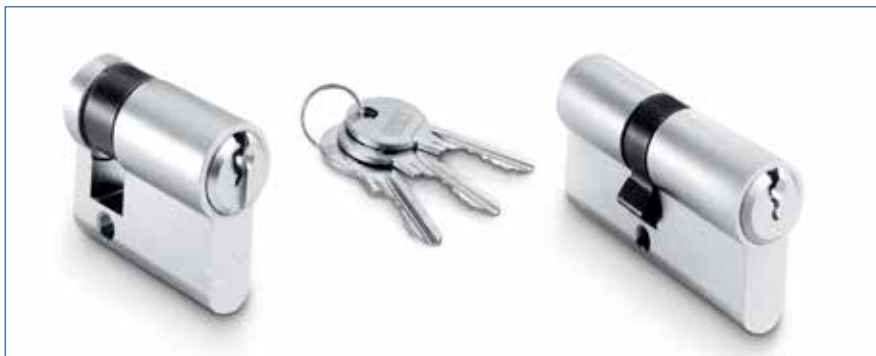
Accessories



Rotary switch contact



Euro profile cylinder for key switch



Euro profile cylinder for floor locks



Toplock CTI



Toplock CTI B with lighting



Toplock CTS V with metal keypad



Toplock CTS BV with lighting

Accessories for special demands for the operation and safety of automatic doors

AREAS OF APPLICATION

- Activation and protection of automatic swing, sliding, folding, revolving and curved sliding doors
- Use as contact sensor when door handle is pressed
- Use for floor locking of sliding doors
- Use as access control for interior and exterior applications

TECHNICAL DATA

| | Rotary switch contact | Euro profile cylinder for key switch | Euro profile cylinder for floor locks | |
|--------------------------|---|---|---|---|
| Specifications | <ul style="list-style-type: none"> - Normally open contact - Switching voltage: max. 24 V DC - Switching current: max. 35 mA - 4 m connection cable | <ul style="list-style-type: none"> - Euro profile cylinder for 40 mm key switch (10/30), one-sided locking, with 3 keys, ID no. 090176 | <ul style="list-style-type: none"> - Euro profile cylinder for 46 mm floor locks (9/37) one-sided locking, for ISO and toughened safety glass door fittings, with 3 keys, ID no. 019053 - Euro profile cylinder for 66 mm floor locks (31/35) two-sided locking, for toughened safety glass door fittings, with 3 keys, ID no. 091052 - Euro profile cylinder for 71 mm floor locks (31/40) two-sided locking, for ISO door fittings, with 3 keys, ID no. 023356 - Euro profile cylinder for 66 mm floor locks (31/35) two-sided locking, packed in pairs, for toughened safety glass fittings, with 3 keys, ID no. 074861 - Euro profile cylinder for 71 mm floor locks (31/40) two-sided locking, packed in pairs, for ISO door fittings, with 3 keys, ID no. 074862 | |
| Dimensions | 23 x 39 x 8 mm | | | |
| ID no. | 081024 | | | |
| | Toplock CT I | Toplock CT I B with lighting | Toplock CTS V with metal keypad | Toplock CTS BV with lighting |
| Operating voltage | 12 – 24 V DC / 12 V AC | 12 – 24 V DC / 12 V AC | 230V AC | 230V AC |
| Output | potential-free normally open contact 24 V DC 1 A | potential-free normally open contact 24 V DC 1 A | potential-free relay output 250 V 5 A | potential-free relay output 250 V 5 A |
| IP rating | IP65 | IP65 | IP65 (keypad), IP43 (evaluating unit) | IP65 (keypad), IP43 (evaluating unit) |
| Dimensions | 80 x 80 x 15 mm | 60 x 126 x 2.,5 mm | 80 x 80 x 15 mm or 110 x 188 x 40 mm | 60 x 126 x 22.5 mm or 110 x 188 x 40 mm |
| ID no. | 090061 | 090063 | 090077 | 090079 |



DOOR, WINDOW AND SAFETY TECHNOLOGY

References

Discover the pioneering buildings which we were able to equip with GEZE activation devices and sensors. We offer the ideal solution for each door situation and this has gained us customers from all over the world: be it automatic drives for swing doors, sliding doors, revolving doors or curved sliding doors – when automatic door systems are involved, activation devices and sensors from GEZE are always the first choice. We offer tested and certified complete solutions for individual needs.





Vitra Haus, Weil am Rhein, Germany (photo: Oliver Look / GEZE GmbH)



experimenta Science Centre, Heilbronn, Germany (photo: Jürgen Pollak / GEZE GmbH)



Gelderlandplein, Amsterdam, Netherlands (photo: Erwin Kamphuis / GEZE GmbH)



Modern Art, Oxford, Great Britain (photo: GEZE GmbH)

We are GEZE.

For liveable buildings

GEZE stands for innovation, high quality and comprehensive support of building technologies. From the initial idea, planning and operational implementation with series products to customised system solutions and individual service and maintenance plans. We offer an extensive product range of door, window and safety technology products and are a major driving force behind the digital networking of building automation.

GEZE GmbH

Reinhold-Vöster-Strasse 21 – 29

71229 Leonberg

Germany

Telephone: +49 7152 203 0

Fax: +49 7152 203 310

Email: info.de@geze.com

www.geze.com